

MODEL 85 ROTARY FACER

SIPTM
SIMPLEX IDEAL PEERLESS

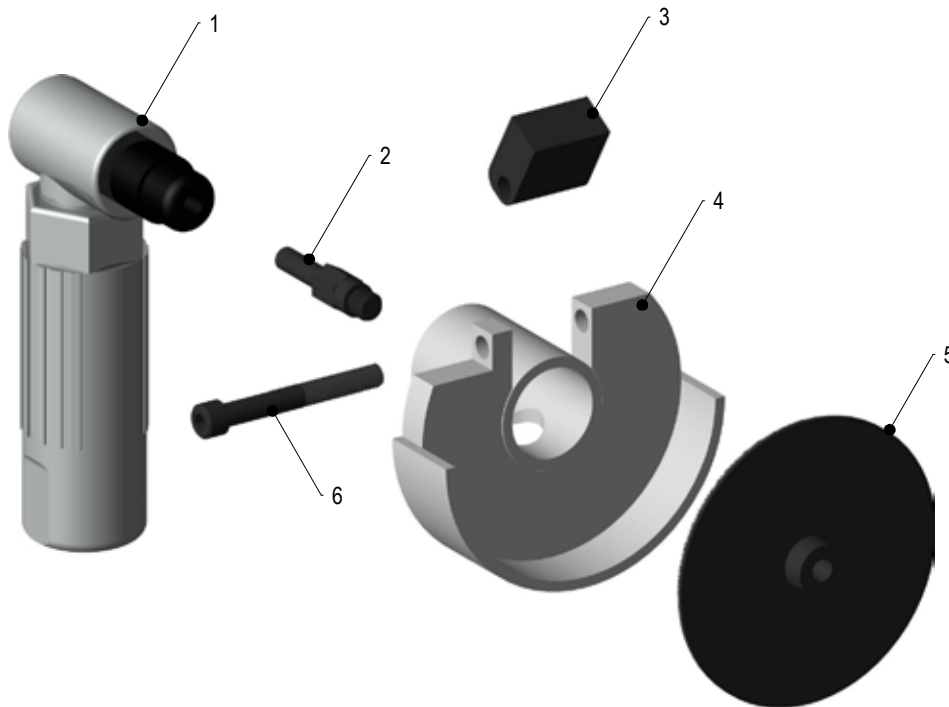


Contents include:

- 1) Rotary facer with disc
- 3) Extra disc
- 2) Wrenches
- 2) Instruction sheets

Reorder number for discs
(5 per package)

- 79850-1036 Grit
- 79850-3060 Grit



Item	Qty	Part No	Description
1	1 each	77811-01	Ingersoll Rand 90° Grinder
2	1 each	77855-01	Grinding Disc Arbor
3	1 each	77857-01	Guide
4	1 each	77851-01	Facer Body
5	2 each	79850-01	Grinding Disc
	2 each	79853-03	Grinding Disc
6	1 each	12404-20	1/4-20 x 2 Socket Head Cap Screw

MODEL 85 ROTARY FACER

SIPTM
SIMPLEX IDEAL PEERLESS



To Replace the disc, hold the disc firmly with one hand then turn the arbor with a wrench to loosen.



Always disable the mower before grinding.



To set the grind angle, loosen the guide clamp with an allen wrench, set the angle of the guide and then retighten the guide clamp.



To grind, connect the grinder to an air supply. Position the guide on the bottom of the blade. Pull the trigger and pull the grinding disc across the blade while holding the guide against the bottom of the blade. Repeat as necessary.