

# Ideal 1000 Parts Manual



# Contents

Contents.....	2
Introduction .....	2
Table .....	3
Grinding Head.....	4
Infeed Tables.....	5
Fence and Clamps.....	6
Pneumatics .....	7
Wiring.....	8

# Introduction

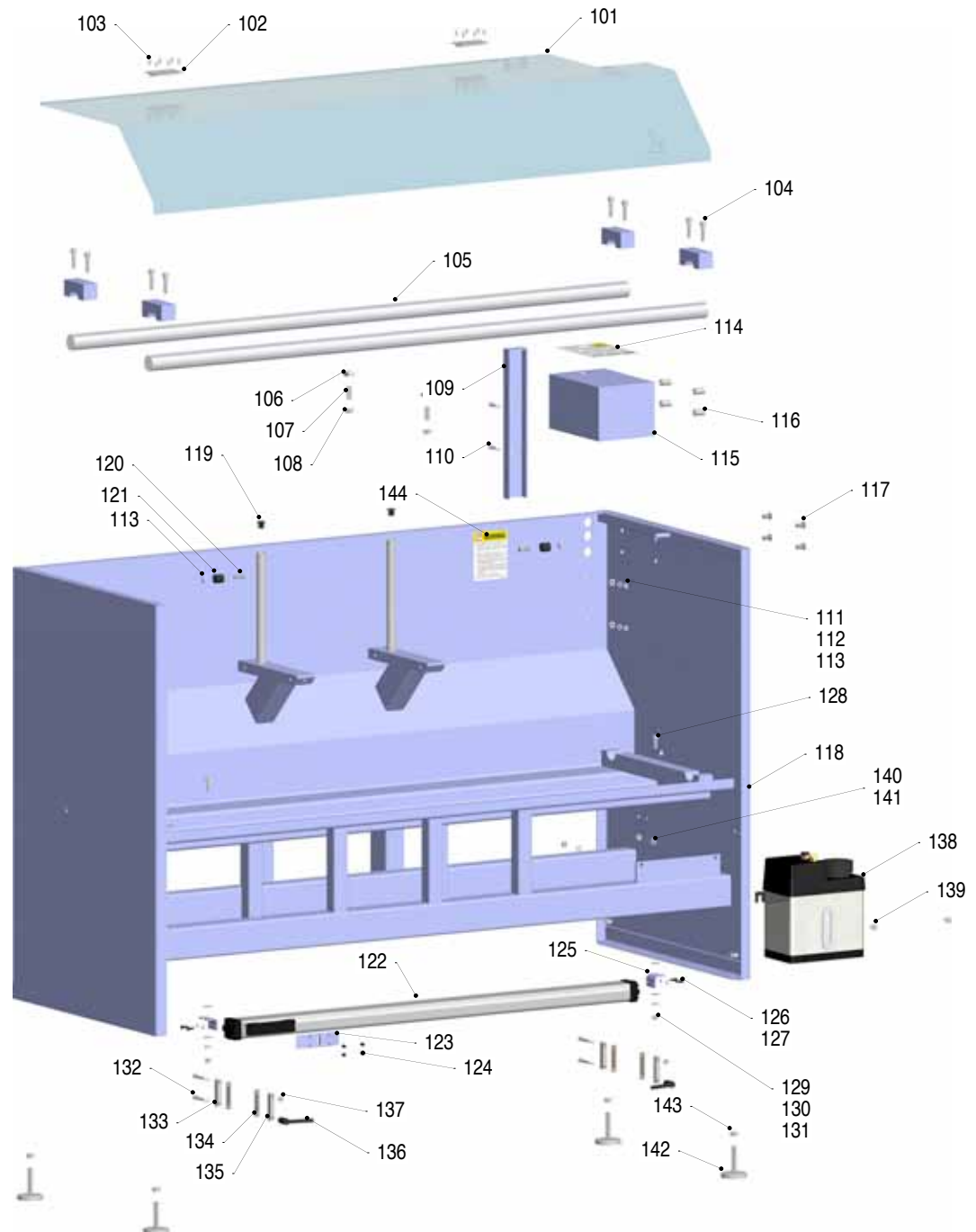
This document is best viewed by Adobe® Reader® Version 6 or higher. Installation programs for Adobe Reader are located on this disc for both Apple® Macintosh® and Microsoft® WindowsXP® or they can be downloaded from [www.adobe.com](http://www.adobe.com) free of charge.

You can use the navigation buttons at the top of each page or you can use Adobe Reader's Navigation Tools. This document uses high quality graphics so you can use Adobe Reader's Zoom Tool to magnify any part of the document for a more detailed look (Please note that the navigation buttons at the top of the page do not work when the Zoom Tool is selected).

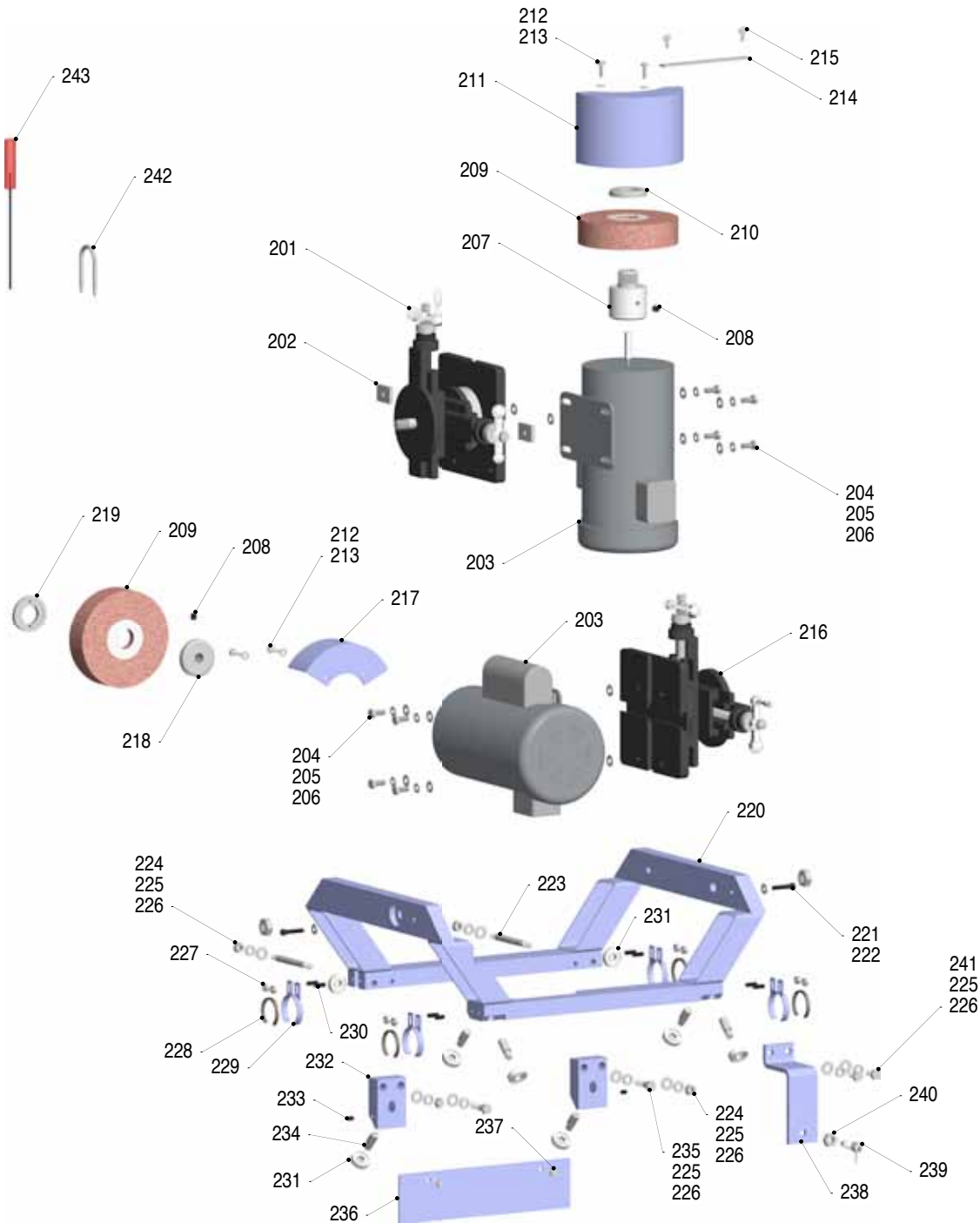
To order replacement parts, please supply your dealer with the part number, quantity, and description of each part. Each part in the illustration has an item number. The item number for a part also appears in the parts list, with information about the part.

# Table

Item	Qty	Part No	Description
101	1 each	77415-02	Shield
102	2 each	77347-03	Hinge
103	12 each	15001-03	Rivet
104	8 each	14606-14	3/8-16 x 1-1/2 SS Socket Bolt
105	2 each	71305-04	Hard Chrome Track Shaft
106	2 each	77405-01	Track Shaft Pad
107	2 each	77407-01	Track Shaft Support
108	2 each	12808-02	1/2-13 Jam Nut
109	1 each	77420-01	Harness Guard
110	2 each	12304-14	1/4-20 x 1-1/2 Bolt
111	4 each	12004-01	1/4 Washer
112	4 each	12104-01	1/4 Lock Washer
113	6 each	12204-01	1/4-20 Nut
114	1 each	70005-01	Face Plate Label
115	1 each	77413-02	Control Box
116	4 each	13506-02	Coupler Nut
117	2 each	12306-04	3/8-16 x 1/2 Bolt
118	2 each	12206-01	3/8 Washer
119	4 each	14006-06	3/8-16 x 3/4 SS Button Head Bolt
120	1 each	77401-01	Table
121	2 each	73170-01	1/2 Pipe Plug
122	2 each	12304-10	1/4-20 x 1-1/2 Bolt
123	2 each	76197-01	Rubber Bumper
124	1 each	77013-03	Air Cylinder
125	1 each	77215-02	Cylinder Latch Bracket
126	4 each	12403-02	#10-24 x 1/4 Socket Head Bolt
127	2 each	77213-01	Cylinder Mounting Bracket
128	4 each	12403-04	#10-24 x 1/2 Socket Head Bolt
129	4 each	12103-01	#10 Lock Washer
130	2 each	12306-10	3/8-16 x 1 Bolt
131	2 each	12106-01	3/8 Lock Washer
132	2 each	12006-01	3/8-16 Nut
133	4 each	12304-22	1/4-20 x 2-1/4 Bolt
134	2 each	77410-01	Rear Travel Stop
135	4 each	77416-01	Travel Stop Pad
136	2 each	77412-01	Front Travel Stop
137	2 each	77710-01	Locking Handle
138	2 each	13604-01	1/4-20 Lock Nut
139	1 each	77020-01	Coolant Mist
140	2 each	12305-06	5/16-18 x 3/4 Bolt
141	2 each	12105-01	5/16 Lock Washer
142	2 each	12005-01	5/16-18 Nut
143	1 each	77408-01	Conduit Assembly
144	2 each	14004-06	1/4-20 x 3/4 SS Button Head Bolt
145	4 each	77219-02	Machinery Mount
146	8 each	12008-01	1/2-13 Nut
147	1 each	70001-01	Warning Label
148	1 each	70031-06	Serial Number Label

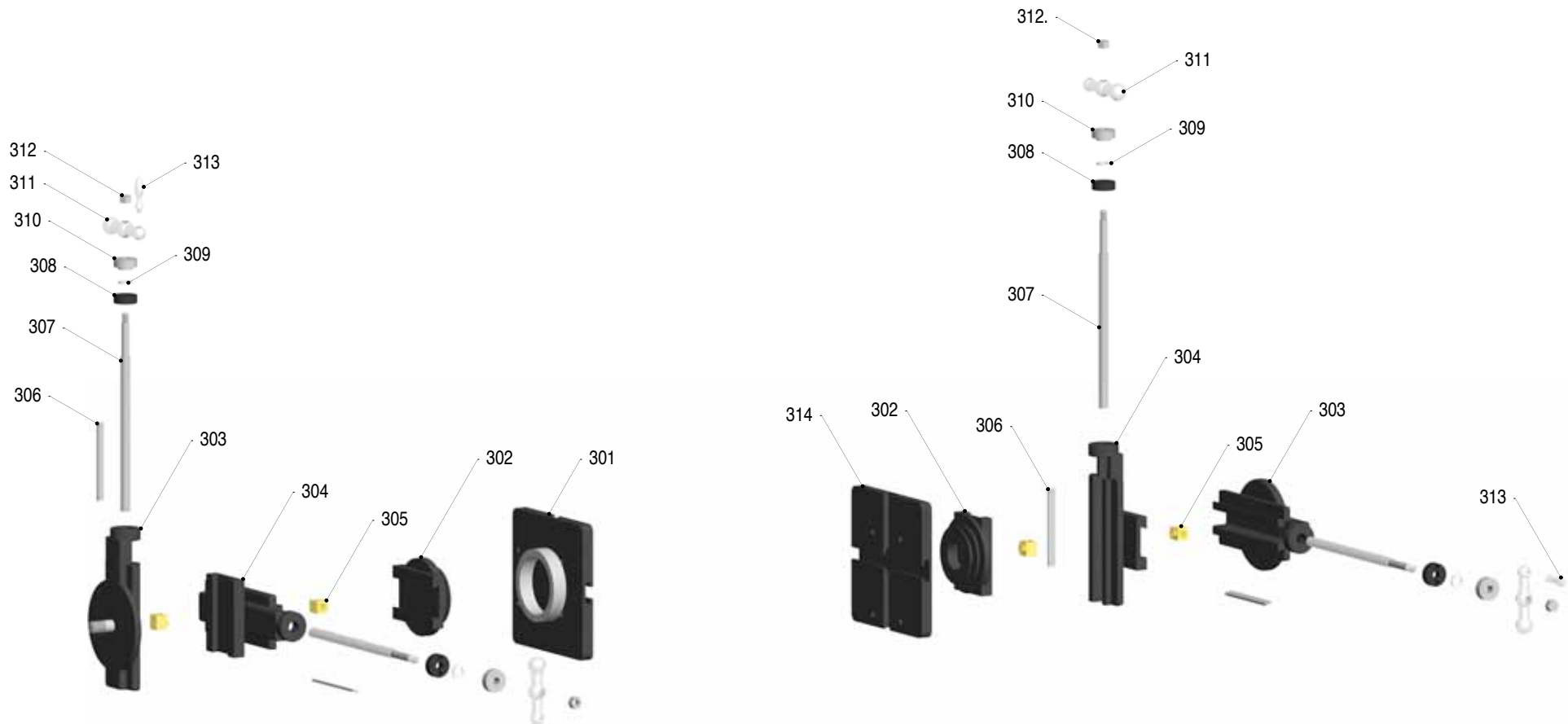


# Grinding Head



Item	Qty	Part No	Description
201	1 each	77421-02	Left Motor Table
202	2 each	77427-01	T-Slot Nut
203	2 each	77423-01	Motor
204	8 each	12305-06	5/16-18 x 3/4 Bolt
205	8 each	12105-01	5/16 Lock Washer
206	12 each	12205-01	5/16 Washer
207	1 each	77425-01	Hub
208	2 each	12506-02	3/8-16 x 1/4 Set Screw
209	2 each	79028-01	Cup Grinding Wheel
210	1 each	75010-01	Nut
211	1 each	77417-01	Wheel Guard
212	4 each	12304-06	1/4-20 x 3/4 Bolt
213	4 each	12104-01	1/4 Lock Washer
214	1 each	77418-01	Spray Nozzle Support
215	2 each	12703-04	#10 x 24 x 1/2 SS Thumbscrew
216	1 each	77421-01	Right Motor Table
217	1 each	77419-01	Wheel Guard
218	1 each	75080-03	Hub
219	1 each	75010-03	Nut
220	1 each	77403-01	Carriage
221	2 each	12404-12	1/4-20 x 1-1/4 Socket Head Bolt
222	2 each	12204-01	1/4 Washer
223	2 each	77433-01	Bearing Axle
224	4 each	12006-01	3/8-16 Nut
225	8 each	12106-01	3/8 Lock Washer
226	8 each	12206-01	3/8 Washer
227	8 each	12804-01	1/4-20 Jam Nut
228	18 inches	11027-00	Dust Wipe
229	4 each	77231-02	Dust Wipe Mount
230	8 each	12504-06	1/4-20 x 3/4 Set Screw
231	8 each	16129-00	Bearing
232	2 each	77431-01	Bearing Block
233	2 each	12504-03	1/4-20 x 3/8 Set Screw
234	2 each	77225-01	Bearing Axle
235	4 each	77225-02	Bearing Axle
236	2 each	12306-14	3/8-16 x 1-1/2 Bolt
237	1 each	77404-01	Spark Shield
238	2 each	12304-04	1/4-20 x 1/2 Bolt
239	1 each	77429-01	Plunger Mount
240	1 each	77243-02	Plunger
241	1 each	12808-01	1/2-20 Jam Nut
242	2 each	12306-06	3/8-16 x 3/4 Bolt
243	1 each	75011-01	U-Wrench
244	1 each	77289-03	Allen Wrench

# Infeed Tables

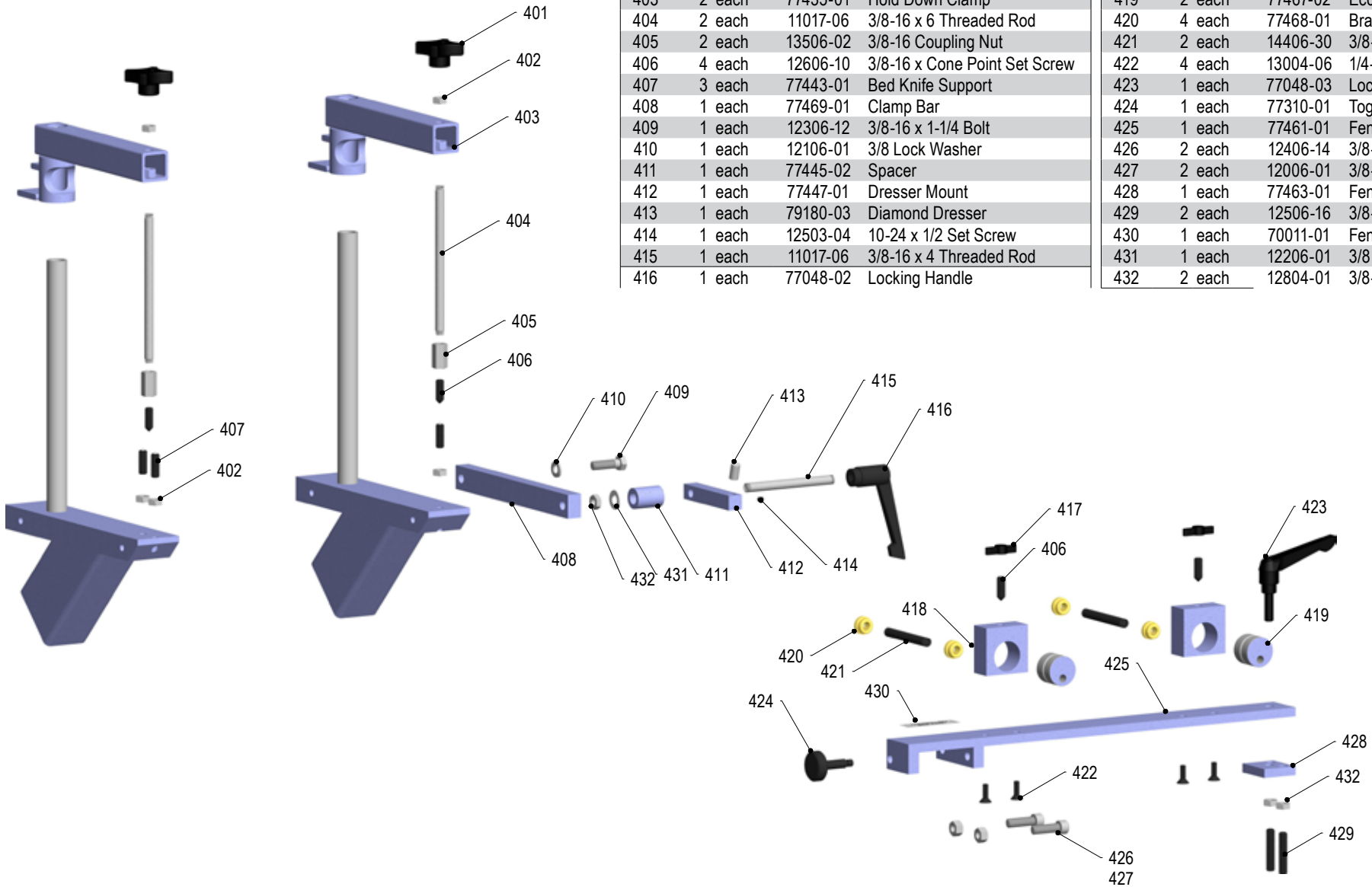


Item	Qty	Part No	Description
301	1 each	77421-18	Table Top Left
302	2 each	77421-17	Table Base
303	2 each	77421-15	Base Casting
304	2 each	77421-16	Intermediate Casting
305	each	77421-11	Feed Nut
306	each	77421-22	Way Clamp
307	each	77421-10	Feed Screw
308	each	77421-12	Guide Collar
309	each	77455-01	Nylon Washer
310	each	77421-13	Dial
311	each	77421-19	Crank
312	each	77421-23	Nut
313	each	77421-20	Handle
314	each	77421-21	Table Top Right

# Fence and Clamps

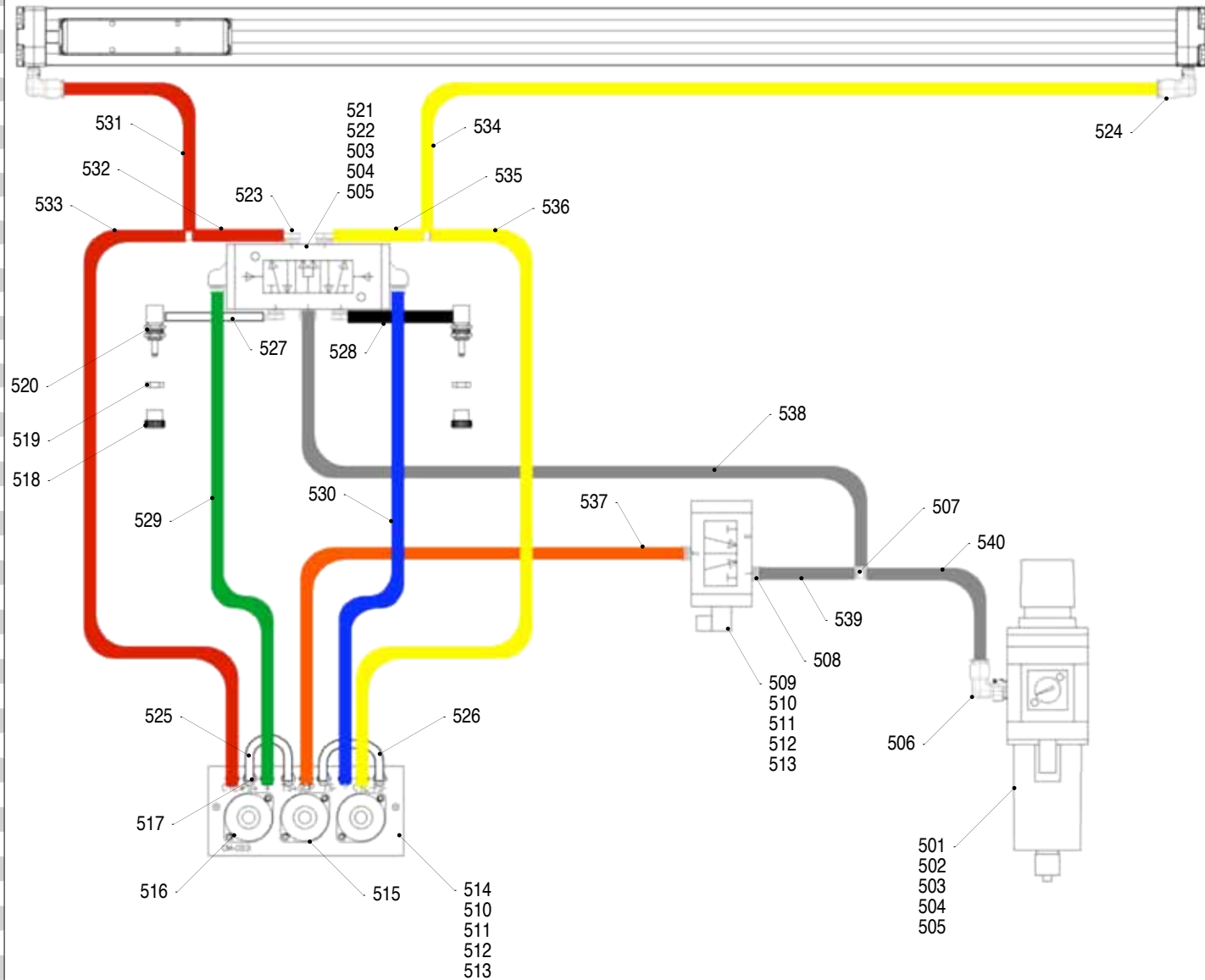
Item	Qty	Part No	Description
401	2 each	77030-02	Locking Knob
402	5 each	12806-01	3/8-16 Jam Nut
403	2 each	77435-01	Hold Down Clamp
404	2 each	11017-06	3/8-16 x 6 Threaded Rod
405	2 each	13506-02	3/8-16 Coupling Nut
406	4 each	12606-10	3/8-16 x Cone Point Set Screw
407	3 each	77443-01	Bed Knife Support
408	1 each	77469-01	Clamp Bar
409	1 each	12306-12	3/8-16 x 1-1/4 Bolt
410	1 each	12106-01	3/8 Lock Washer
411	1 each	77445-02	Spacer
412	1 each	77447-01	Dresser Mount
413	1 each	79180-03	Diamond Dresser
414	1 each	12503-04	10-24 x 1/2 Set Screw
415	1 each	11017-06	3/8-16 x 4 Threaded Rod
416	1 each	77048-02	Locking Handle

Item	Qty	Part No	Description
417	2 each	77074-01	Knob Handle
418	2 each	77465-02	Stop Block
419	2 each	77467-02	Eccentric Stop
420	4 each	77468-01	Brass Nut
421	2 each	14406-30	3/8-24 x 3 Set Screw
422	4 each	13004-06	1/4-20 x 3/4 Countersunk Screw
423	1 each	77048-03	Locking Handle
424	1 each	77310-01	Toggle Bolt
425	1 each	77461-01	Fence Base
426	2 each	12406-14	3/8-16 x 1-1/2 SS Socket Bolt
427	2 each	12006-01	3/8-16 Nut
428	1 each	77463-01	Fence Clamp
429	2 each	12506-16	3/8-16 x 1-3/4 Set Screw
430	1 each	70011-01	Fence Label
431	1 each	12206-01	3/8 Washer
432	2 each	12804-01	3/8-16 Jam Nut

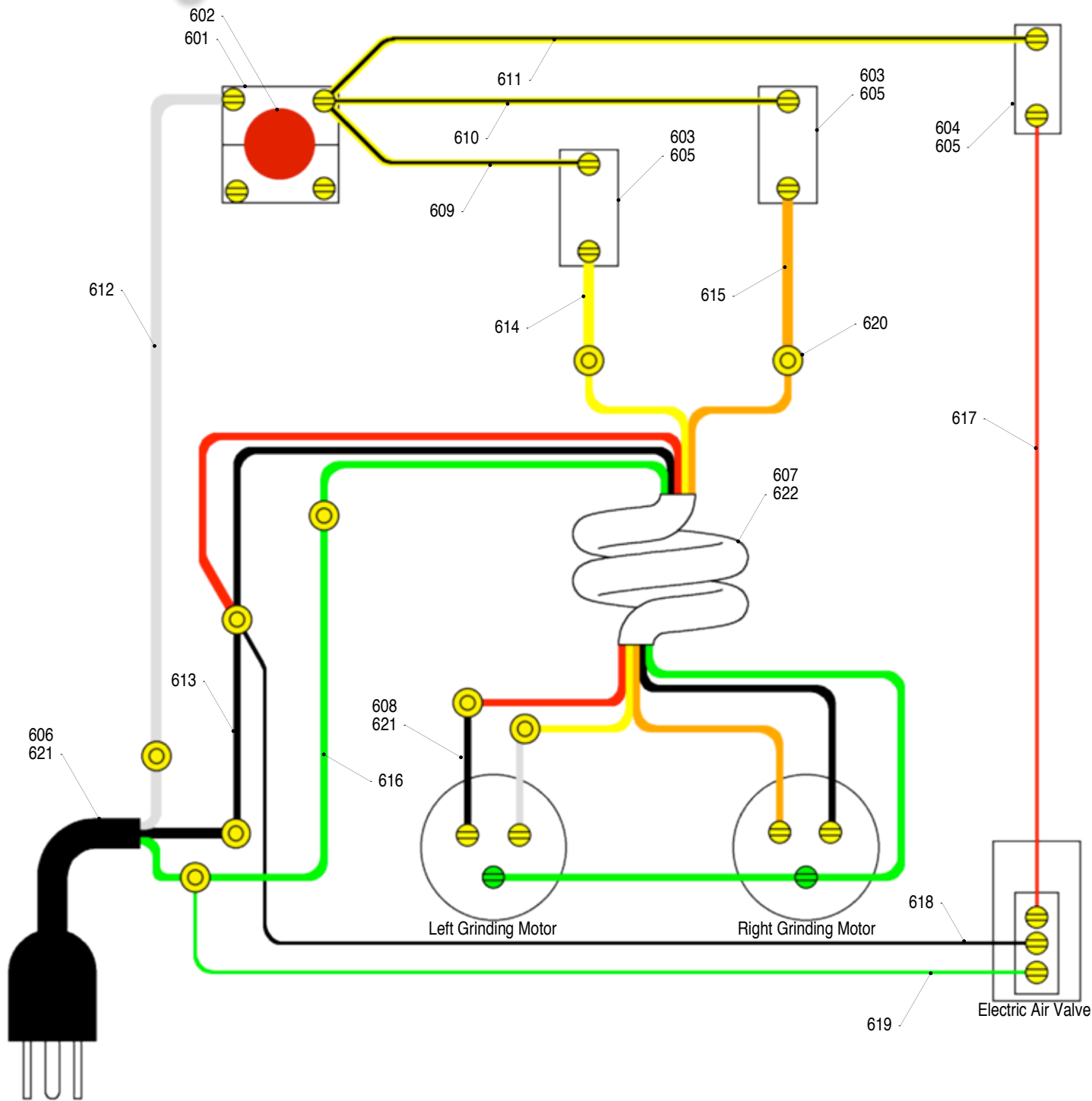


# Pneumatics

Item	Qty	Part No	Description
501	1 each	15019-01	Filter Regulator
502	2 each	12404-04	1/4-20 x 1/2 Socket Head Bolt
503	6 each	12104-01	1/4 Lock Washer
504	6 each	12204-01	1/4 Washer
505	6 each	12004-01	1/4-20 Nut
506	1 each	15014-25	1/4 x 1/4 NPT Male Swivel Elbow
507	2 each	15014-61	Union Tee Hose Barb
508	4 each	15014-75	1/8 x 1/8 NPT Hose Barb
509	1 each	15021-03	Electric On-Off Valve
510	4 each	12301-12	#6-32 x 1-1/4 Screw
511	4 each	12201-01	#6 Washer
512	4 each	12101-01	#6 Lock Washer
513	4 each	12001-01	#6-32 Nut
514	1 each	15017-04	Acrylic Sub Base
515	2 each	15017-02	R301 Valve
516	1 each	15017-03	R402 Valve
517	11 each	15014-71	1/8 x #10-32 Hose Barb
518	2 each	77257-02	#10-32 Knurled Nut
519	2 each	12003-02	#10-32 Nut
520	2 each	15020-02	Needle Valve
521	1 each	15016-02	Air Pilot Valve
522	1 each	77414-02	Pilot Valve Support
523	2 each	12304-06	1/4-20 x 3/4 Bolt
524	2 each	12304-16	1/4-20 x 1-3/4 Bolt
525	5 each	15014-76	1/8 x 1/8 NPT Elbow Hose Barb
526	2 each	15014-21	1/4 x 1/8 NPT Male Swivel Elbow
527	3 inches	15022-14	Polyurethane Tubing Clear
528	4 inches	15022-14	Polyurethane Tubing Clear
529	18 inches	15022-14	Polyurethane Tubing Clear
530	18 inches	15022-17	Polyurethane Tubing Black
531	5 inches	15022-15	Polyurethane Tubing Green
532	5 inches	15022-12	Polyurethane Tubing Blue
533	60 inches	15022-18	Polyurethane Tubing Red
534	6 inches	15022-18	Polyurethane Tubing Red
535	6 inches	15022-18	Polyurethane Tubing Red
536	12 inches	15022-13	Polyurethane Tubing Yellow
537	6 inches	15022-13	Polyurethane Tubing Yellow
538	6 inches	15022-13	Polyurethane Tubing Yellow
539	7 inches	15022-11	Polyurethane Tubing Orange
540	14 inches	15022-16	Polyurethane Tubing Gray
541	8 inches	15022-16	Polyurethane Tubing Gray
542	2 inches	15022-16	Polyurethane Tubing Gray
543	11 inches	15023-02	1/2 Tubing Lume
544	5 each	15023-03	Wire Tie
545	3 each	71351-03	Grommet
546	1 each	71351-05	Grommet



# Wiring



Item	Qty	Part No	Description
601	1 each	75104-13	Contact Block
602	1 each	75104-12	Mushroom Button
603	2 each	75093-19	Toggle Switch
604	1 each	75093-04	Toggle Switch
605	3 each	75093-11	Toggle Boot
606	1 each	75093-17	Power Cord
607	1/2 each	75093-20	Coiled Cord, Five Lead
608	52 inches	75093-26	Straight Cord, Five Lead
609	1/8 each	75093-12	Coiled Cord, Three Lead
610	2 inches	75092-34	16 Gauge Wire Yellow/Black
611	4 inches	75092-34	16 Gauge Wire Yellow/Black
612	6 inches	75092-34	16 Gauge Wire Yellow/Black
613	8 inches	75092-21	14 Gauge Wire White
614	8 inches	75092-22	14 Gauge Wire Black
615	8 inches	75092-24	14 Gauge Wire Yellow
616	8 inches	75092-28	14 Gauge Wire Orange
617	8 inches	75092-16	16 Gauge Wire Green
618	8 inches	75092-03	20 Gauge Wire Red
619	8 inches	75092-02	16 Gauge Wire Black
620	8 inches	75092-06	16 Gauge Wire Green
621	9 each	75093-08	Wire Nut
622	3 each	75093-13	Strain Relief
623	2 each	75093-25	Strain Relief