

SIP

SIMPLEX IDEAL PEERLESS



PEERLESS 7000

AUTOMATIC REEL GRINDER

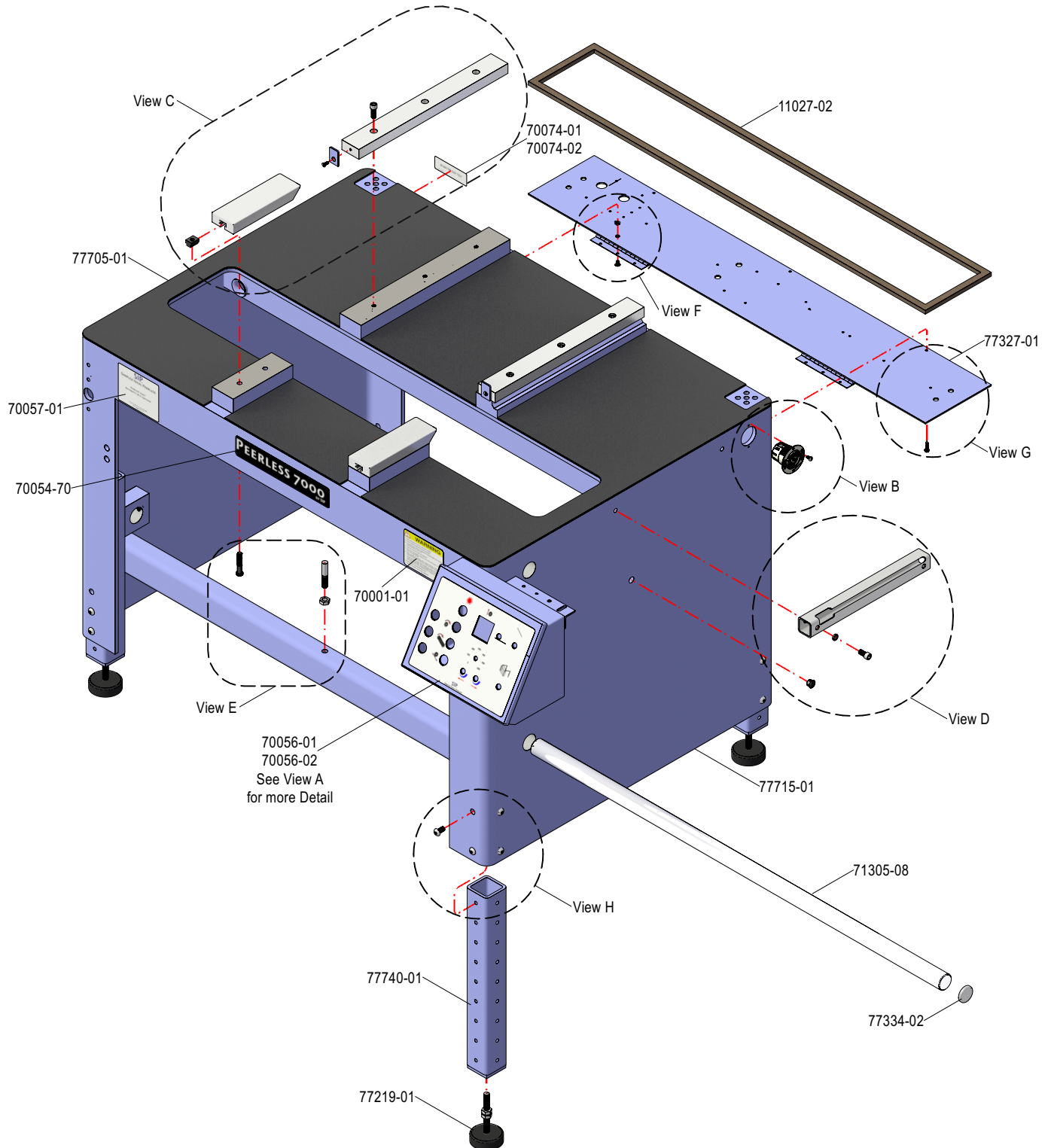
PARTS MANUAL

Manual Number 20039.01
© SIP Corporation 2006-2024
All Rights Reserved

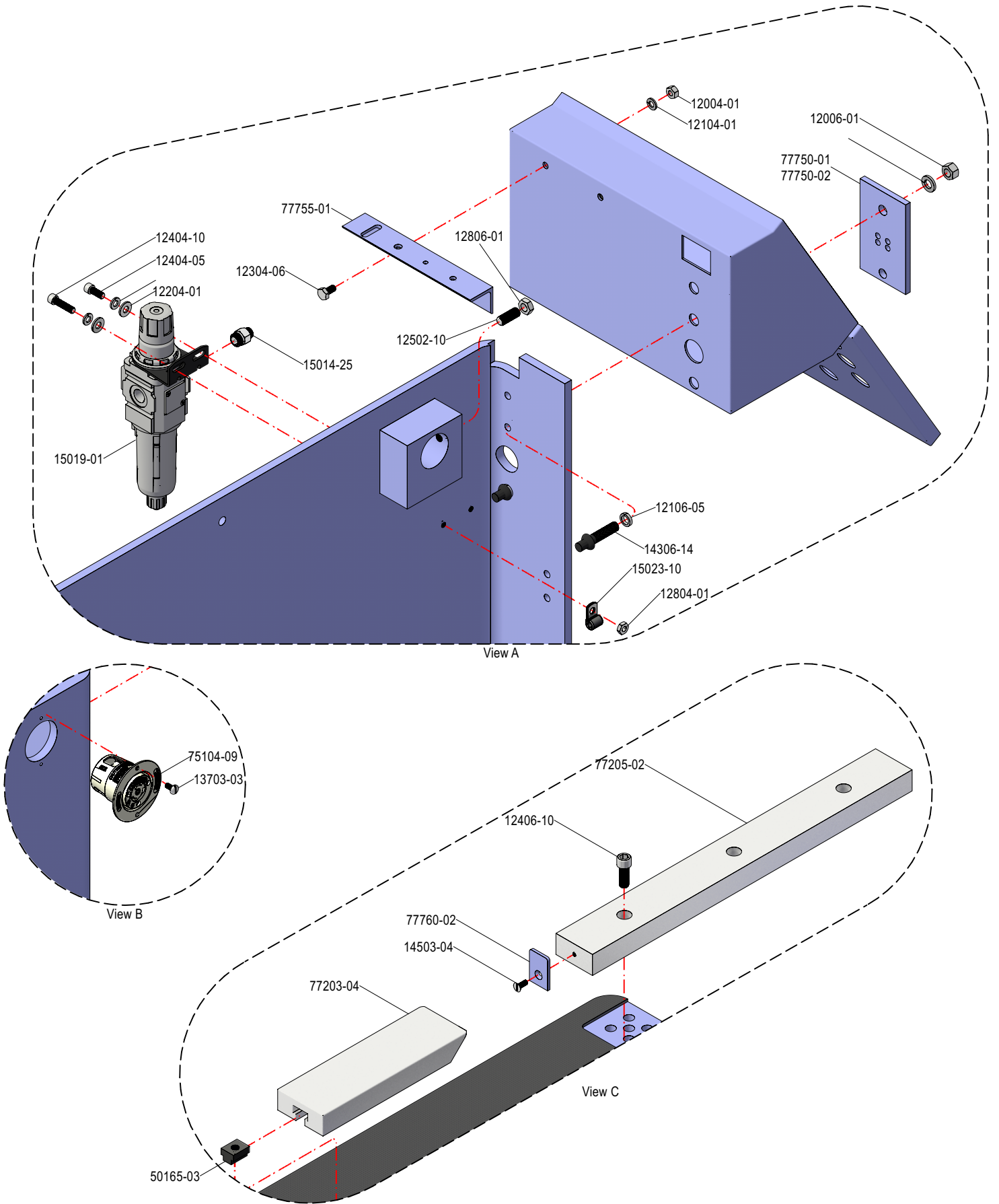
TABLE OF CONTENTS

Table.....	1
Carriage Cylinder.....	4
Chain Clamps.....	7
Fence.....	8
Shield.....	9
Grinding Carriage.....	11
Infeed.....	13
Grinding Head.....	15
Digital Read Out Option.....	17
Auto Indexer Option.....	18
Spin Motor.....	19
Pneumatics.....	21
Switch Box.....	23
Control Panel.....	26
Tools.....	29

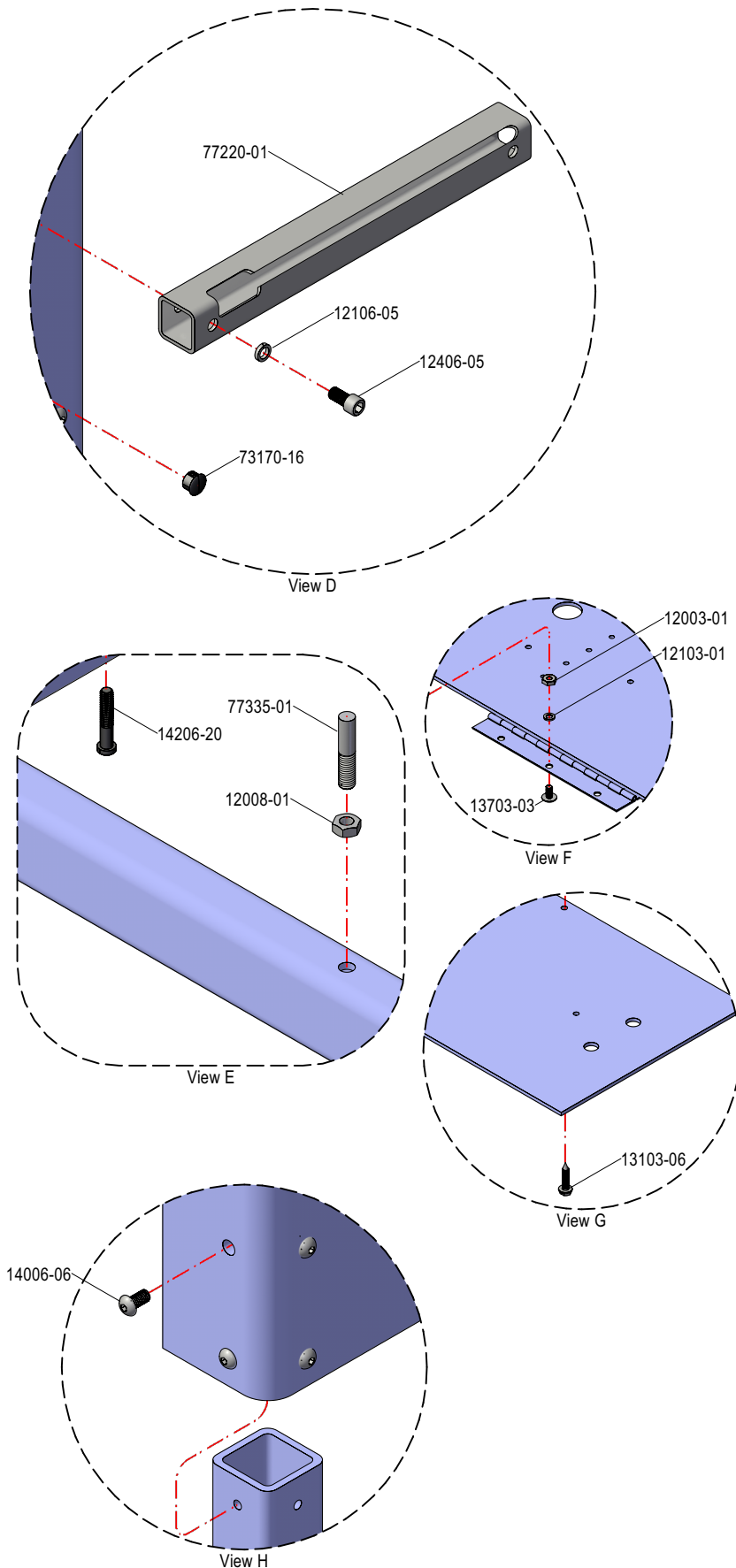
TABLE



TABLE



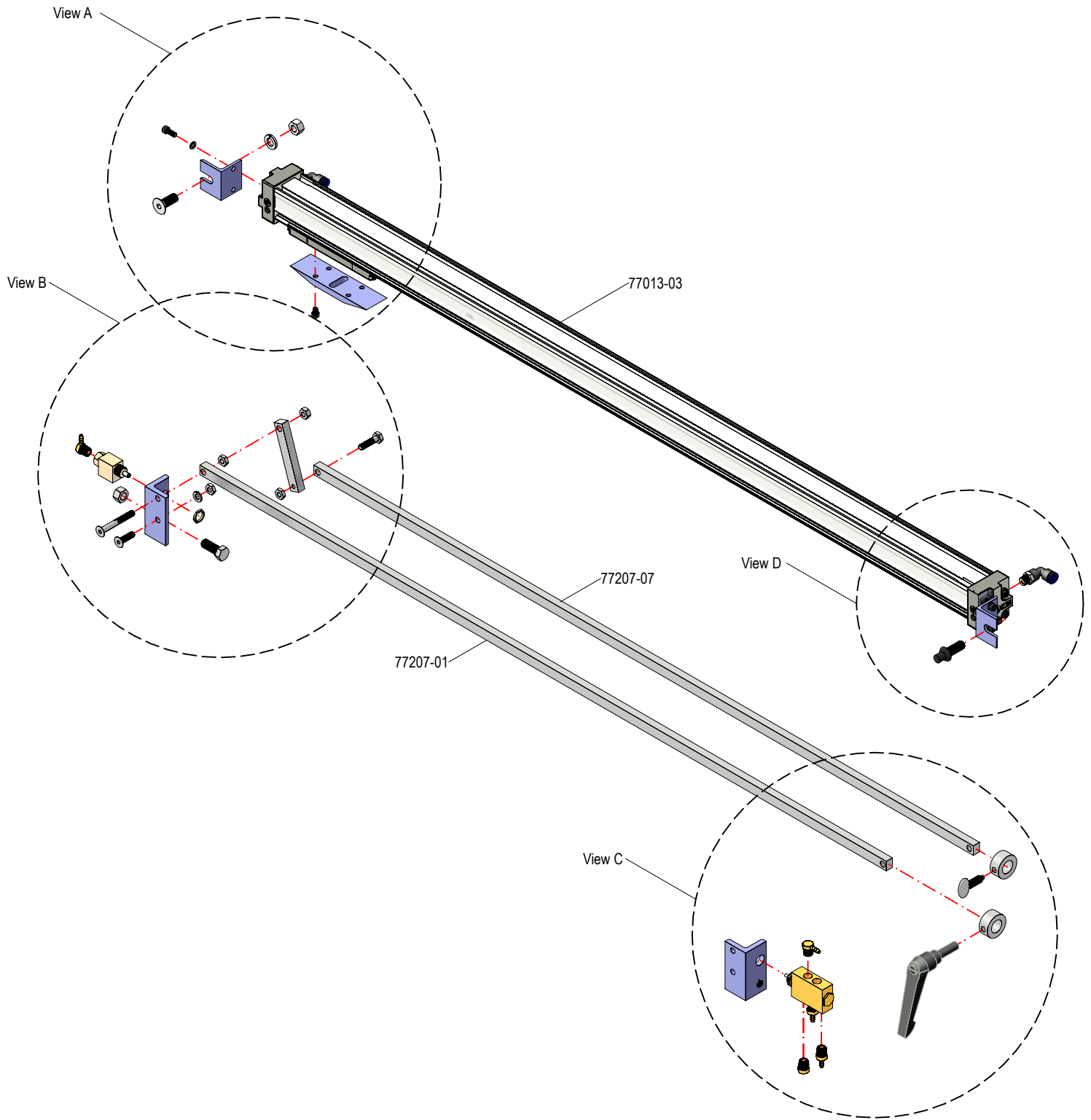
TABLE



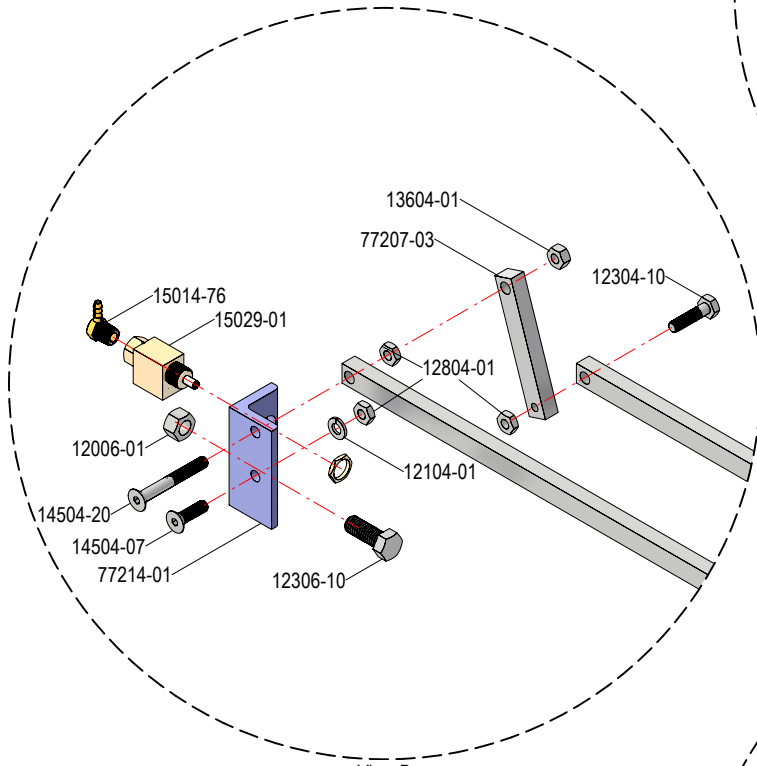
Part Number	Quantity	Description
11027-02	120 inches	Weather-stripping
12003-01	6 each	#10-24 Nut
12004-01	2 each	1/4-20 Nut
12006-01	2 each	3/8-16 Nut
12008-01	1 each	1/2-13 Nut
12103-01	6 each	#10 Lock Washer
12104-01	2 each	1/4 Lock Washer
12106-05	6 each	3/8 Hi Collar Lock Washer
12204-01	4 each	1/4 Washer
12304-06	2 each	1/4-20 x 3/4 Bolt
12404-05	1 each	1/4-20 x 5/8 Socket Head Bolt
12404-10	1 each*	1/4-20 x 1 Socket Head Bolt
12406-05	4 each	3/8-16 x 5/8 Socket Cap Screw
12406-10	6 each	3/8-16 x 1 Socket Cap Screw
12502-10	4 each	3/8-16 x 1 Soft Tip Set Screw
12804-01	1 each*	1/4-20 x 1 Hex Jam Nut
12806-01	4 each	3/8-16 Hex Jam Nut
13103-06	3 each	#10 x 3/4 Hex Head Self Tap Screw
13703-03	10 each	#10-24 x 3/8 Hex Truss Head Screw
14006-06	16 each	3/8-16 x 3/4 Button Head Cap Screw
14206-20	4 each	3/8-16 x 2 Low Profile Socket Head Bolt
14306-14	2 each	3/8-16 x 1-1/2 12 Point Bolt
14503-04	2 each	#10-24 x 1/2 Countersunk Screw
15014-25	1 each	1/4 X 1/4 NPT Swivel Elbow
15019-01	1 each	Filter Regulator
15023-10	1 each	1/4 Loop Strap
50165-03	4 each	T-Nut
70001-01	1 each	Warning Label Tall
70054-70	1 each	Model Label
70056-01	1 each	Switch Box Label
70056-02	1 each*	Switch Box Label with Optional Infeed
70057-01	1 each	Serial Number Label
70074-01	1 each	110 Volt Label
70074-02	1 each	220 Volt Label
71305-08	2 each	Hard Chrome Bar
73170-16	2 each	9/16 Ø Plastic Plug
75104-09	2 each	Spin Motor Outlet
77203-04	2 each	Front Reel Support Rail
77205-02	2 each	Rear Reel Support Rail
77219-01	4 each	Leveling Pads
77220-01	2 each	Spin Motor Mount
77327-01	1 each	Component Cover Plate
77334-02	4 each	1-1/2 Expansion Plug
77335-01	1 each	Support Stud
77705-01	1 each	Table Pad
77715-01	1 each	Table
77740-01	4 each	Leg
77750-01	1 each	Backing Plate
77750-02	1 each*	Backing Plate with Optional Infeed
77755-01	1 each	Tool Rack
77760-02	2 each	Roller Stop

*Includes quantities for automatic in feed option

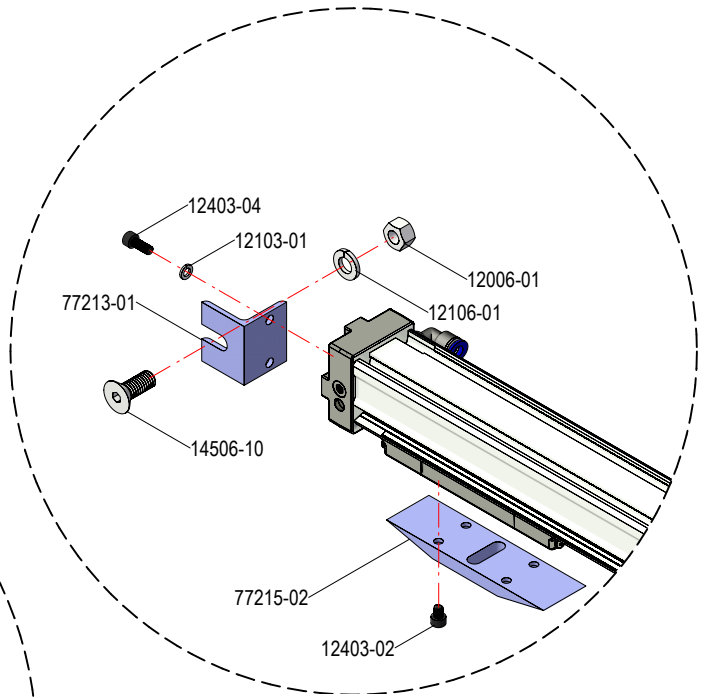
CARRIAGE CYLINDER



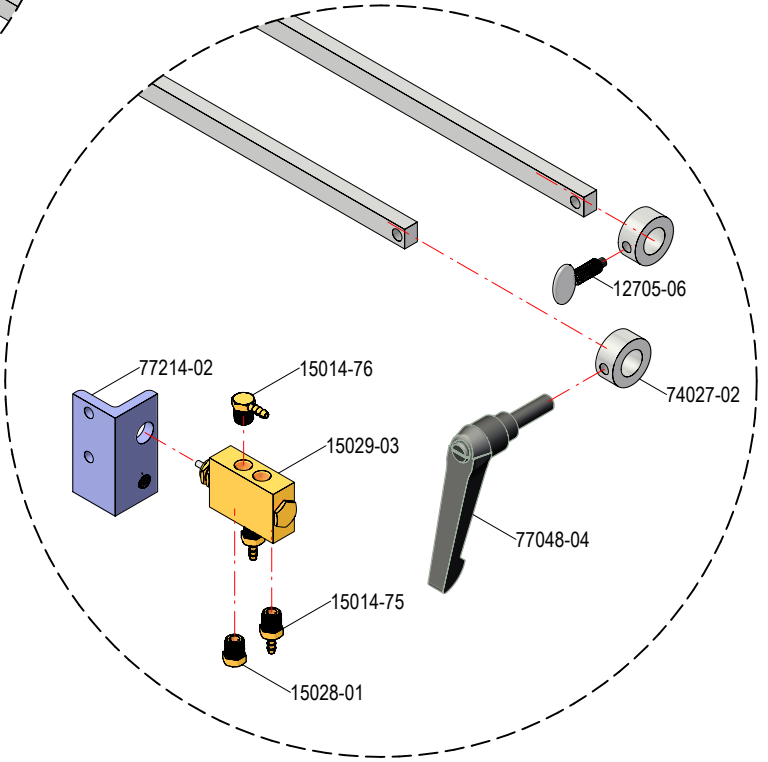
CARRIAGE CYLINDER



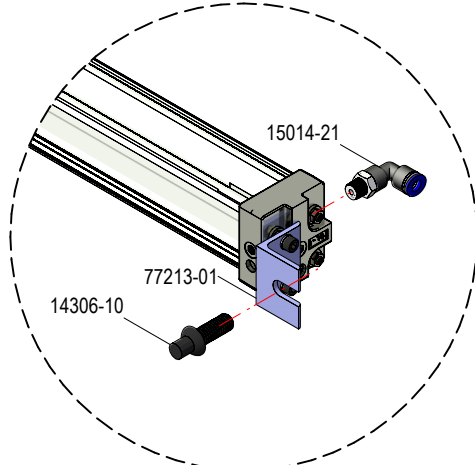
View B



View A



View C



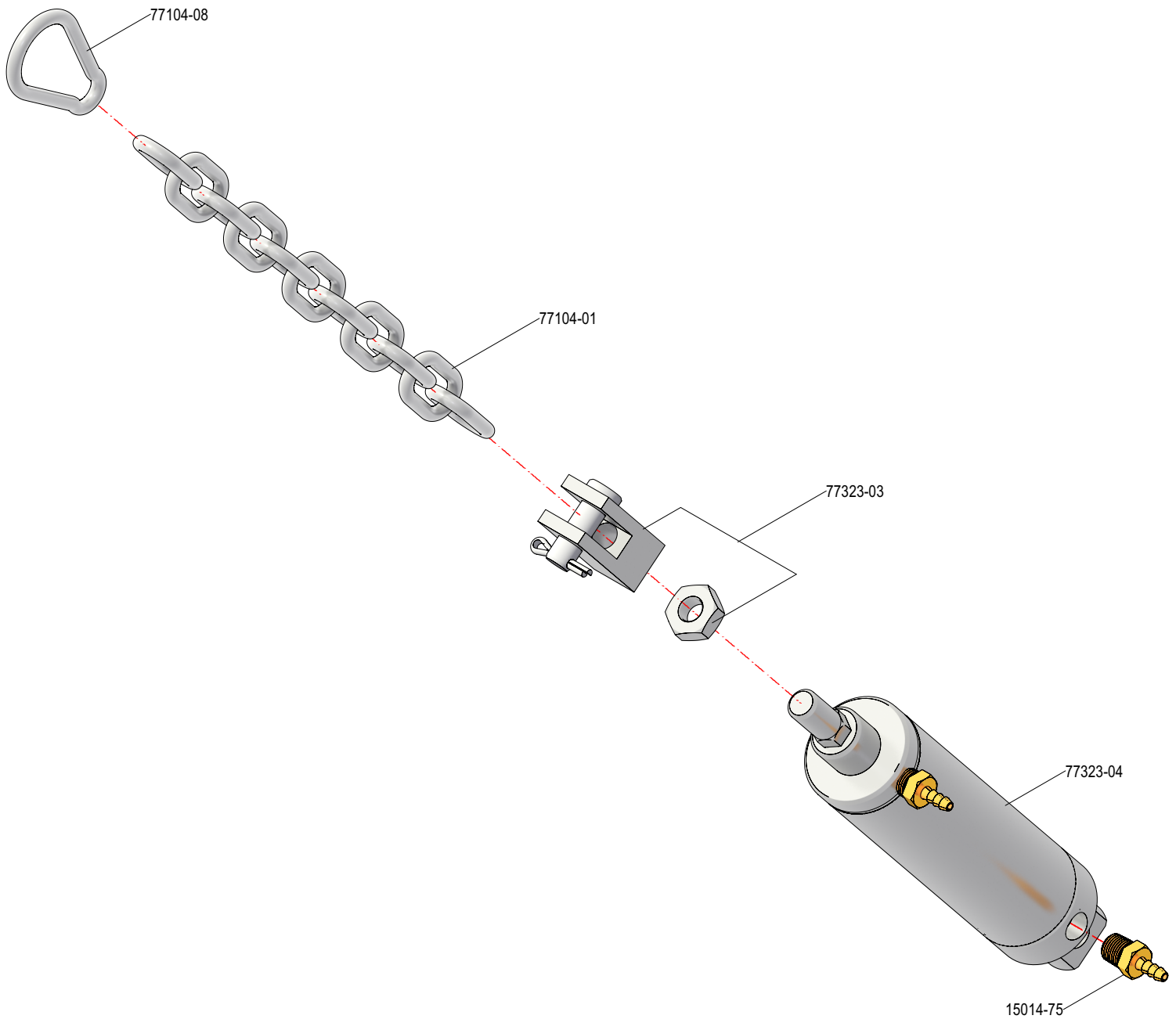
View D

CARRIAGE CYLINDER

Part Number	Quantity	Description
12006-01	4 each	3/8-16 Nut
12103-01	4 each	#10 Lock Washer
12104-01	2 each	1/4 Lock Washer
12106-01	2 each	3/8 Lock Washer
12304-10	2 each	1/4-20 x 1 Bolt
12306-10	2 each	3/8-16 x 1 Bolt
12403-02	4 each	#10-24 x 1/4 Socket Head Screw
12403-04	4 each	#10-24 x 1/2 Socket Head Screw
12705-06	3 each	5/16-18 x 3/4 Soft Tip Thumbscrew
12804-01	6 each	1/4-20 Jam Nut
13604-01	2 each	1/4-20 Lock Nut
14306-10	1 each	3/8-16 x 1 12 Point Bolt
14504-07	2 each	1/4-20 x 7/8 Countersunk Screw
14504-20	2 each	1/4-20 x 2 Countersunk Screw
14506-10	1 each	3/8-16 x 1 Countersunk Screw
15014-21	2 each	1/4 x 1/8 NPT Swivel Elbow*
15014-75	2 each	1/8 x 1/8 NPT Hose Barb*
15014-76	2 each	1/8 x 1/8 NPT Elbow Barb*
15028-01	1 each	1/8 NPT Plug*
15029-01	2 each	Three Port Valve
15029-03	1 each	Five Port Valve*
74027-02	5 each	5/8 Collar
77013-03	1 each	Cylinder
77048-04	2 each	Locking Screw
77207-01	1 each	Fixed Reversing Rod
77207-03	2 each	Reversing Rod Pivot
77207-07	1 each	Reversing Rod
77213-01	2 each	Cylinder Mounting Bracket
77214-01	1 each	Left Valve Mounting Bracket
77214-02	1 each	Right Valve Mounting Bracket
77215-02	1 each	Cylinder Latch Bracket

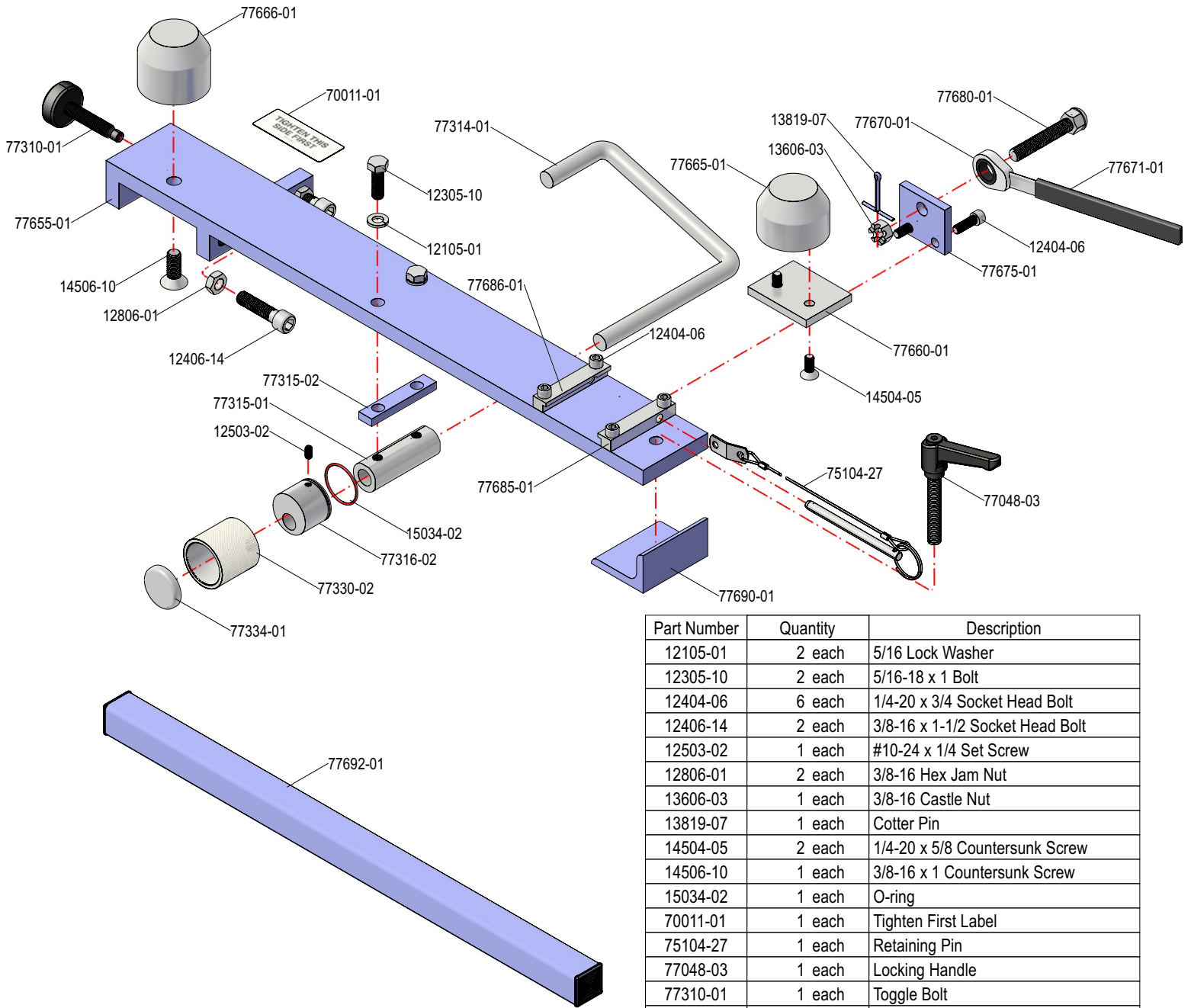
*Includes quantities for Auto-Infeed Option

CHAIN CLAMPS



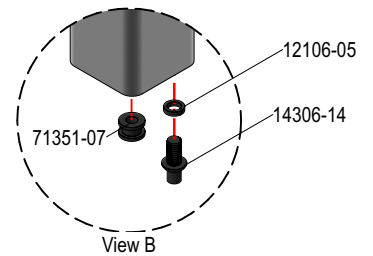
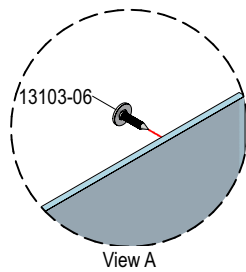
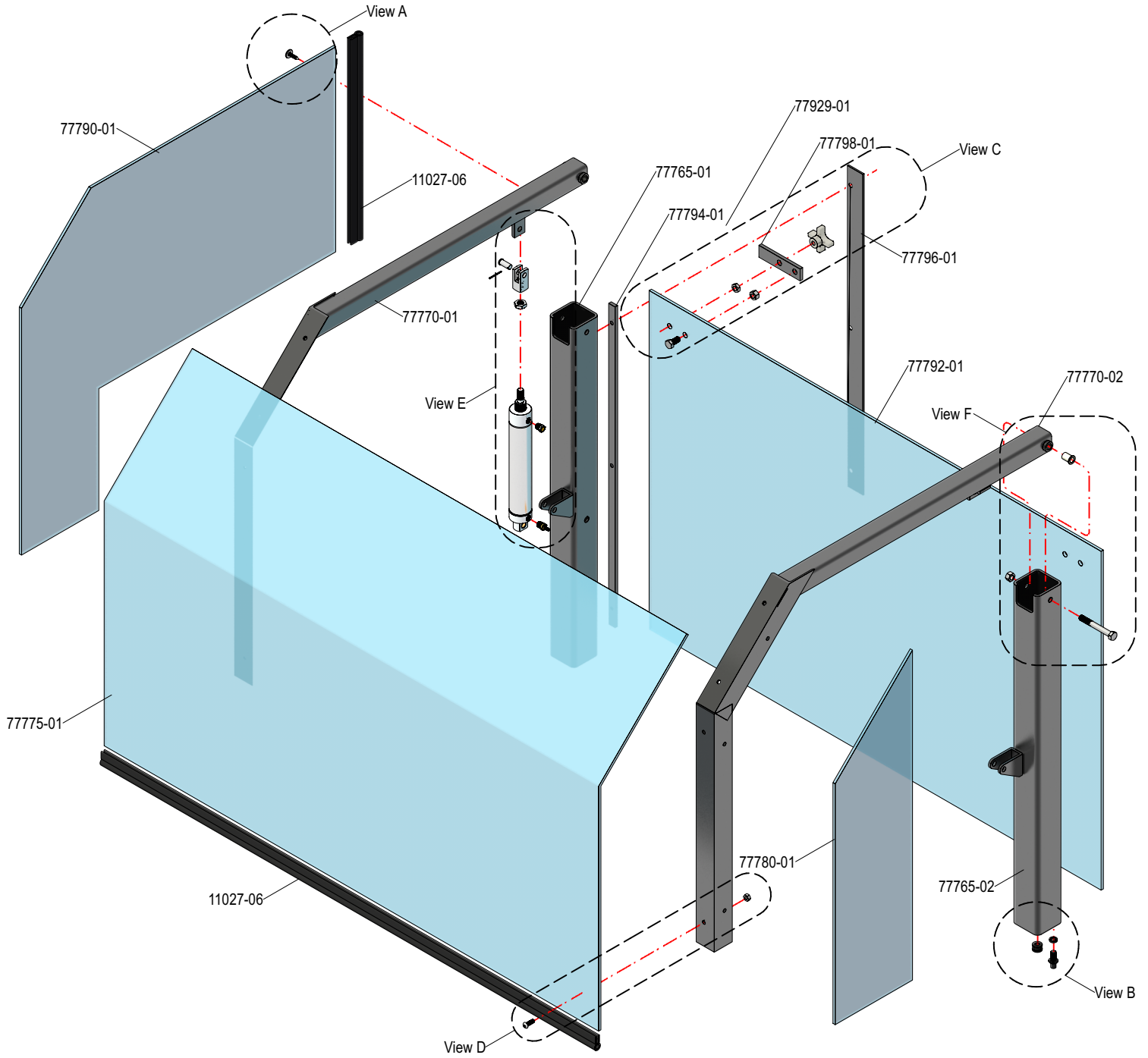
Part Number	Quantity	Description
15014-75	4 each	1/8 x 1/8 NPT Hose Barb
77104-01	2 each	3/16 Chain 3 feet long
77104-08	2 each	Chain Hook
77323-03	2 each	Cylinder Clevis
77323-04	2 each	Cylinder

FENCE

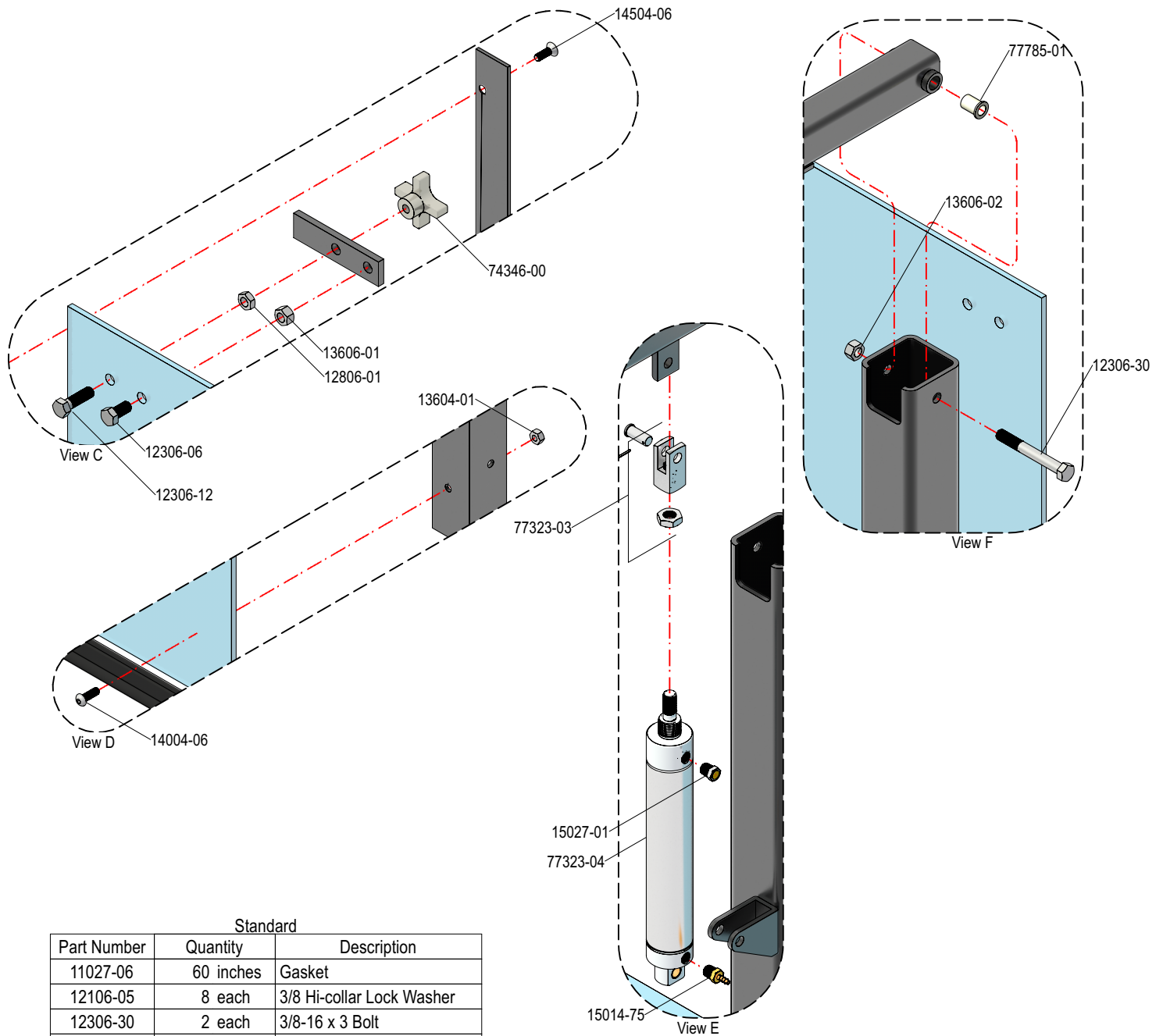


Part Number	Quantity	Description
12105-01	2 each	5/16 Lock Washer
12305-10	2 each	5/16-18 x 1 Bolt
12404-06	6 each	1/4-20 x 3/4 Socket Head Bolt
12406-14	2 each	3/8-16 x 1-1/2 Socket Head Bolt
12503-02	1 each	#10-24 x 1/4 Set Screw
12806-01	2 each	3/8-16 Hex Jam Nut
13606-03	1 each	3/8-16 Castle Nut
13819-07	1 each	Cotter Pin
14504-05	2 each	1/4-20 x 5/8 Countersunk Screw
14506-10	1 each	3/8-16 x 1 Countersunk Screw
15034-02	1 each	O-ring
70011-01	1 each	Tighten First Label
75104-27	1 each	Retaining Pin
77048-03	1 each	Locking Handle
77310-01	1 each	Toggle Bolt
77314-01	1 each	Reel Jack Handle
77315-01	1 each	Reel Jack Bracket
77315-02	1 each	Reel Jack Spacer
77316-02	1 each	Reel Jack Cam
77330-02	1 each	Reel Jack Roller
77334-01	1 each	Plug
77655-01	1 each	Fence Base
77660-01	1 each	Post Plate
77665-01	1 each	Right Post
77666-01	1 each	Left Post
77670-01	1 each	Ratchet Handle
77671-01	1 each	Cap
77675-01	1 each	Adjusting Screw Plate
77680-01	1 each	Fence Post Adjusting Bolt
77685-01	1 each	Right Post Guide
77686-01	1 each	Left Post Guide
77690-01	1 each	Toe Clamp
77692-01	1 each	Fence Spacer

SHIELD



SHIELD



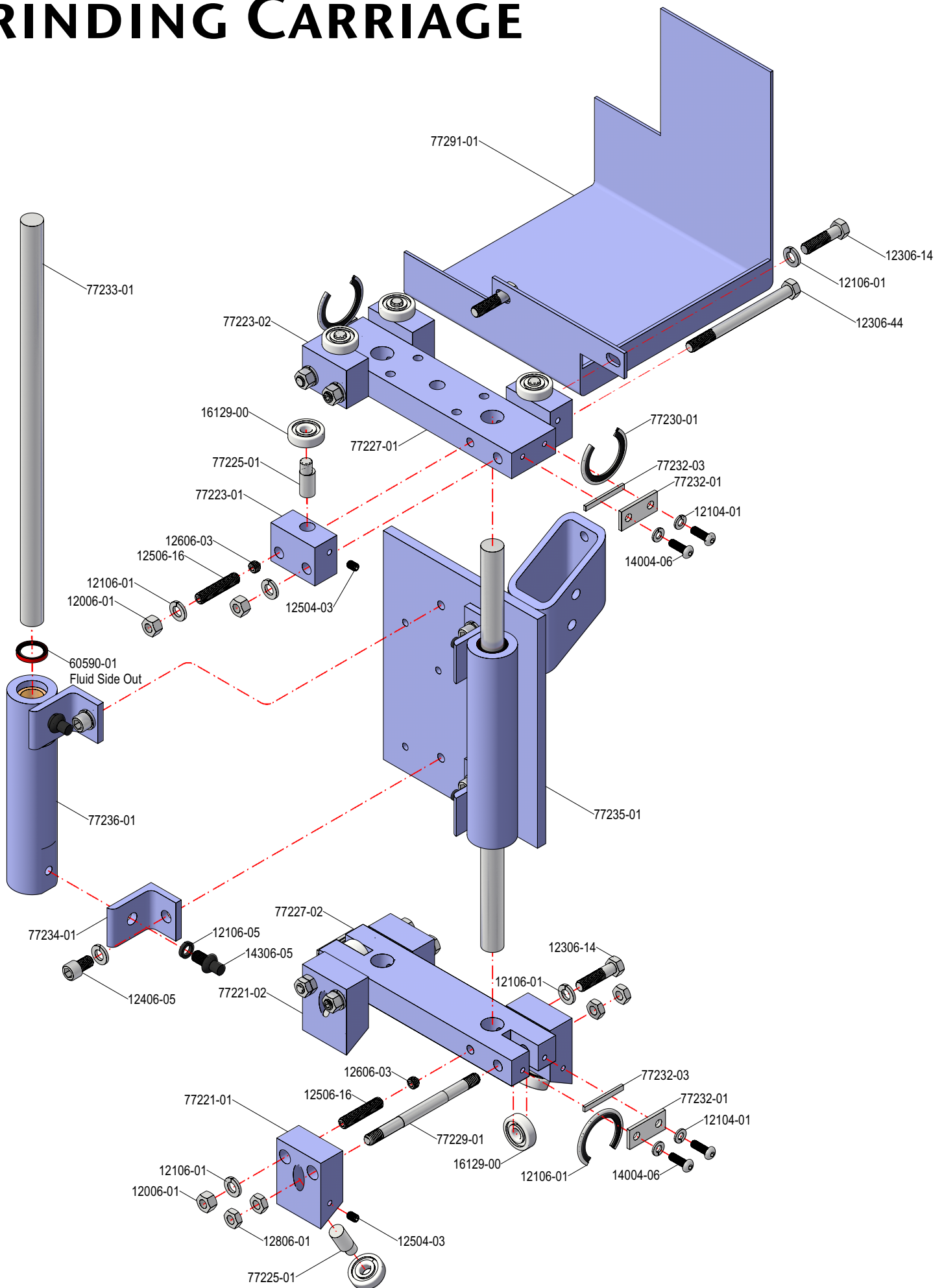
Standard

Part Number	Quantity	Description
11027-06	60 inches	Gasket
12106-05	8 each	3/8 Hi-collar Lock Washer
12306-30	2 each	3/8-16 x 3 Bolt
13604-01	14 each	1/4-20 Lock Nut
13606-02	2 each	3/8-16 NyLock Nut
14004-06	8 each	1/4-20 x 3/4 Button Screw
14306-14	8 each	3/8-16 x 1-1/2 12 pt Bolt
15014-75	4 each	1/8 x 1/8 NPT Hose Barb*
15027-01	2 each	Breather Plug
71351-07	2 each	Grommet
77323-03	2 each	Cylinder Clevis
77323-04	2 each	Cylinder
77765-01	1 each	Left Shield Post
77765-02	1 each	Right Shield Post
77770-01	1 each	Left Shield Arm
77770-02	1 each	Right Shield Arm
77775-01	1 each	Front Shield
77780-01	2 each	Side Shield
77785-01	4 each	Pivot Bushing

Optional Full Shield

Part Number	Quantity	Description
11027-06	30 inches	Gasket
12306-06	2 each	3/8-16 x 3/4 Bolt
12306-12	2 each	3/8-16 x 1-1/4 Bolt
12806-01	2 each	3/8-16 Jam Nut
13103-06	4 each	#10 x 3/4 Screw
13606-01	2 each	3/8-16 Lock Nut
14504-06	6 each	1/4-20 x 3/4 Countersunk Scr
74346-00	2 each	Knob
77790-01	2 each	Side Shield
77792-01	1 each	Rear Shield
77794-01	2 each	Rear Shield Spacer
77796-01	2 each	Rear Shield Guide
77798-01	2 each	Rear Shield Clamp
77929-01	2 each	Rubber Cap

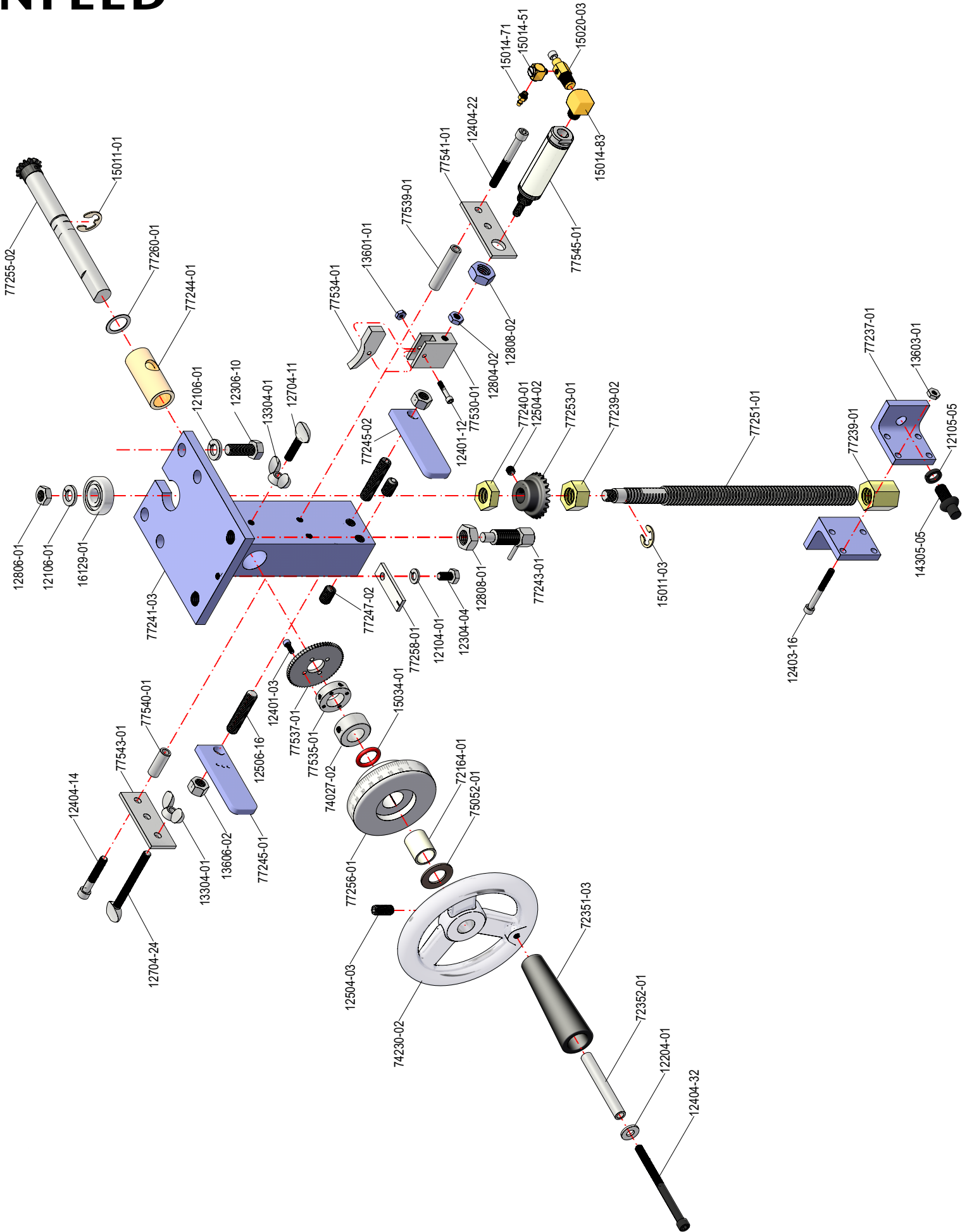
GRINDING CARRIAGE



GRINDING CARRIAGE

Part Number	Quantity	Description
12006-01	4 each	3/6-16 Nut
12104-01	8 each	1/4 Lock Washer
12106-01	10 each	3/8 Lock Washer
12106-05	8 each	3/8 Hi-Collar Lock Washer
12306-14	4 each	3/8-16 x 1-1/2 Bolt
12306-44	2 each	3/8-16 x 4-1/2 Bolt
12406-05	4 each	3/8-16 x 5/8 Socket Head Bolt
12504-03	8 each	1/4-20 x 3/8 Set Screw
12506-16	4 each	3/8-16 x 1-3/4 Set Screw
12606-03	4 each	3/8-16 x 3/8 Cone Point Set Screw
12806-01	8 each	3/8-16 Jam Nut
14004-06	8 each	1/4-20 x 3/4 Button Head Bolt
14306-05	4 each	3/8-16 x 5/8 12 Point Bolt
16129-00	10 each	Bearing
60590-01	4 each	Seal
77221-01	2 each	Lower Bearing Block Right
77221-02	2 each	Lower Bearing Block Left
77223-01	2 each	Upper Bearing Block Right
77223-02	2 each	Upper Bearing Block Left
77225-01	8 each	Eccentric Bearing Axle
77227-01	1 each	Upper Bearing Support
77227-02	1 each	Lower Bearing Support
77229-01	2 each	Main Bearing Axle
77230-01	4 each	Brush Wipe
77232-01	4 each	Brush Wipe Bracket
77232-03	4 each	Bracket Knee
77233-01	2 each	Carriage Shaft
77234-01	4 each	Motor Plate Bracket
77235-01	1 each	Motor Plate
77236-01	2 each	Motor Plate Tube & Bushings
77291-01	1 each	Dust Collector

INFEED



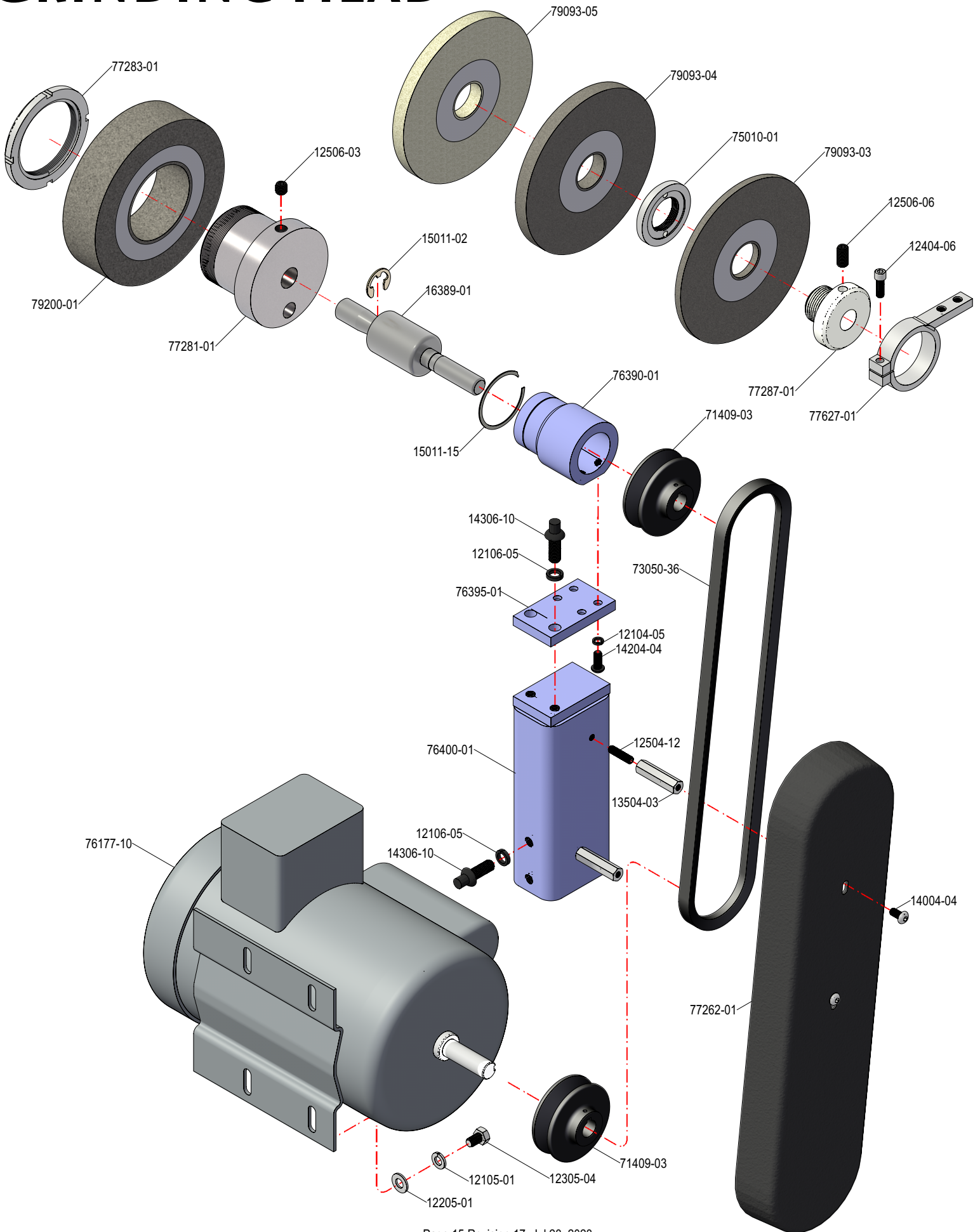
Standard

Part Number	Quantity	Description
12104-01	1 each	1/4 Lock Washer
12105-05	2 each	5/16 Hi-Collar Lock Washer
12106-01	5 each	3/8 Lock Washer
12204-01	1 each	Washer
12304-04	1 each	1/4-20 x 1/2 Hex Head Bolt
12306-10	4 each	3/8-16 x 1 Hex Head Bolt
12403-16	4 each	#10-24 x 1-3/4 Socket Head Bolt
12404-32	1 each	1/4-20x3-1/4 Socket Head Screw
12504-02	1 each	1/4-20 x 1/4 Set Screw
12504-03	1 each	1/4-20 x 3/8 Set Screw
12506-16	2 each	3/8-16 x 1-3/4 Set Screw
12704-11	1 each	Soft Tip Thumb Screw
12806-01	1 each	3/8-16 Jam Nut
12808-01	1 each	1/2-13 Hex Jam Nut
13304-01	1 each	1/4-20 Wing Nut
13603-01	4 each	#10-24 Lock Nut
13606-02	2 each	3/8-16 Nylon Insert Lock Nut
14305-05	2 each	5/16-18 X 5/8 12 Point Bolt
15011-01	1 each	3/4 C-clip
15011-03	1 each	5/8 C-clip
15034-01	1 each	O-ring
16129-01	1 each	Bearing
72164-01	1 each	Bushing
72351-03	1 each	Handle
72352-01	1 each	Spacer
74027-02	1 each	Collar with Set Screw
74230-02	1 each	Hand Wheel
75052-01	1 each	Fiber Washer
77237-01	2 each	Feed Nut Mount
77239-01	1 each	Feed Nut
77239-02	1 each	Gear Nut
77240-01	1 each	Gear Lock Nut
77241-03	1 each	Hand Wheel Support
77243-01	1 each	Plunger
77244-01	1 each	Bushing
77245-01	1 each	Stop Lever Left
77245-02	1 each	Stop Lever Right
77247-02	2 each	Detent
77251-01	1 each	Feed Screw
77253-01	1 each	Bevel Gear
77255-02	1 each	Hand Wheel Shaft & Pinion
77256-01	1 each	Hand Wheel Dial
77258-01	1 each	Pointer
77260-01	1 each	Shim

Optional Auto In Feed

Part Number	Quantity	Description
12401-03	4 each	#6-32 x 3/8 Socket Head Bolt
12401-12	1 each	#6-32 x 3/4 Socket Head Bolt, Cut to 3/4
12404-14	2 each	1/4-20x1-1/2 Socket Head Screw
12404-22	2 each	1/4-20 x 2-1/4 Socket Head Screw
12704-24	1 each	1/4-20 x 2-1/2 Thumb Screw
12804-02	1 each	1/4-28 Hex Jam Nut
12808-02	1 each	1/2-20 Jam Nuts
13304-01	1 each	1/4-20 Wing Nut
13601-01	1 each	#6-32 Lock Nut
15014-51	1 each	1/8 x #10-32 Elbow
15014-71	1 each	1/8 x #10-32 Hose Barb
15014-83	1 each	1/8 NPT Street Elbow
15020-03	1 each	Needle Valve
77530-01	1 each	Pawl Bracket
77534-01	1 each	Pawl
77535-01	1 each	Ratchet Base
77537-01	1 each	Ratchet
77539-01	2 each	Cylinder Bracket Spacer
77540-01	2 each	Stop Bracket Spacer
77541-01	1 each	Cylinder Bracket
77543-01	1 each	Stop Bracket
77545-01	1 each	Air Cylinder

GRINDING HEAD



GRINDING HEAD

Standard

Part Number	Quantity	Description
12104-05	4 each	1/4-Hi-Collar Lock Washer
12105-01	4 each	5/16 Lock Washer
12106-05	4 each	3/8 Hi-Collar Lock Washer
12205-01	4 each	5/16 Washer
12305-04	4 each	5/16-18 x 1/2 Bolt
12504-12	2 each	1/4-20 x 1-1/2 Set Screw
12506-03	1 each	3/8-16 x 3/8 Set Screw
13504-03	2 each	1/4-20 Coupling Nut
14004-04	2 each	1/4-20 x 1/2 Socket Head Screw
14204-04	4 each	1/4-20 x 5/8 Flat Head Screw
14306-10	4 each	3/8-16 x 1 12 Point Bolt
15011-02	1 each	C-Clip
16389-01	1 each	Bearing
71409-03	1 each	Pulley
73050-36	1 each	4L360 V-Belt
76177-10	1 each	1 HP Electric Motor 50/60 Hz
76390-01	1 each	Bearing Housing
76395-01	1 each	Arbor Mounting Plate
76400-01	1 each	Arbor Support
77262-01	1 each	Belt Guard
77281-01	1 each	Hub
77283-01	1 each	Nut
79200-01	1 each	Spin Grinding Wheel

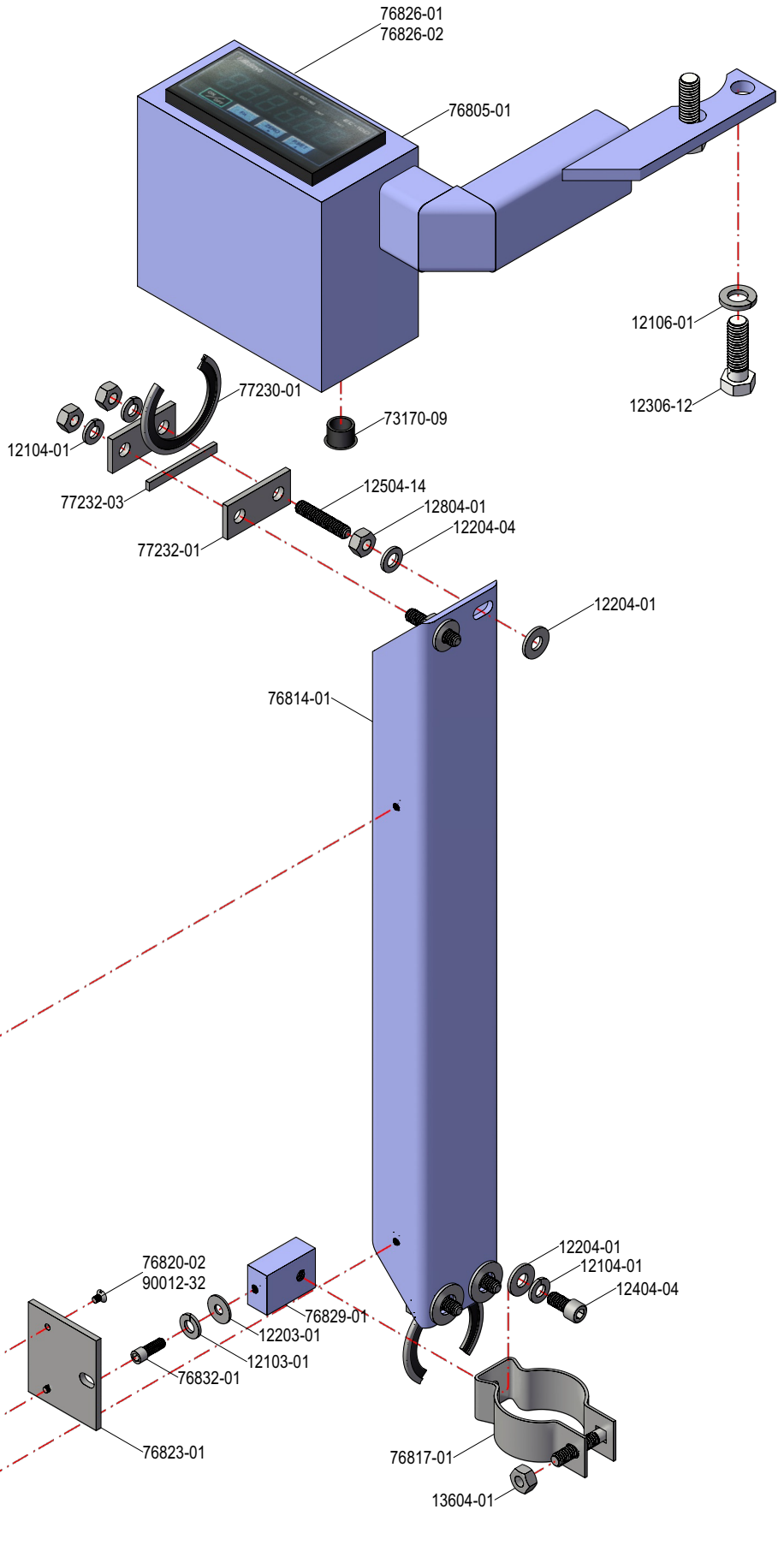
Optional Relief Grinding

Part Number	Quantity	Description
12404-06	1 each	1/4-20 x 3/4 Socket Head Bolt
12506-06	1 each	3/8-16 x 3/4 Set Screw
15011-15	1 each	Retaining Ring
75010-01	1 each	Nut
77287-01	1 each	Hub
77627-01	1 each	Indexer Mount
79093-03	1 each	1/4 Inch Relief Grinding Wheel
79093-04	1 each	1/2 Inch Relief Grinding Wheel
79093-05	option	1/2 Inch Ceramic Relief Grinding Wheel

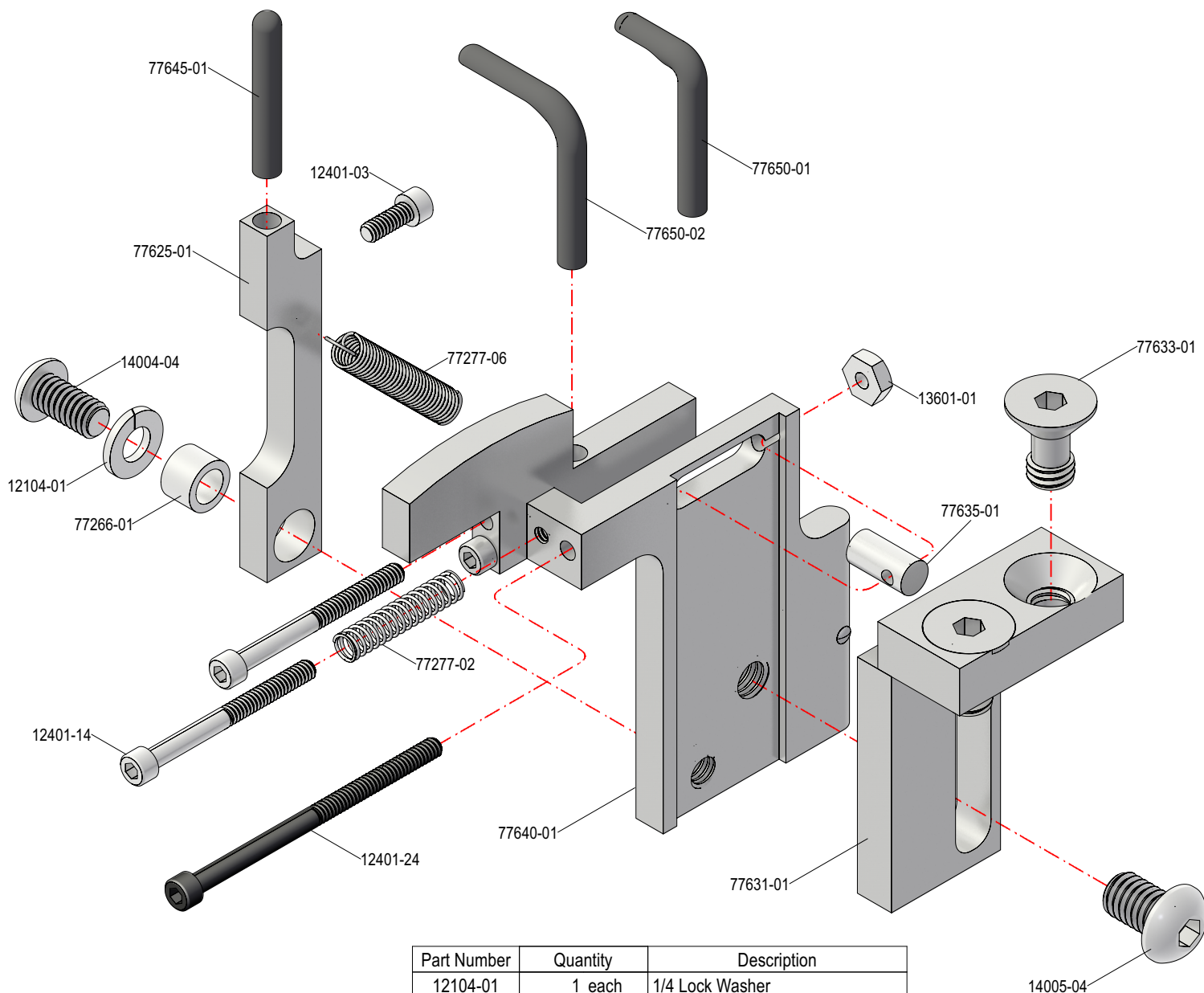
DIGITAL READ OUT OPTION

Part Number	Quantity	Description
12103-01	1 each	#10 Lock Washer
12104-01	1 each	1/4 Lock Washer
12104-01	4 each	1/4 Lock Washer†
12106-01	2 each	3/8-Lock Washer†
12202-01	2 each	#8 Washer
12203-01	1 each	#10 Washer
12204-01	1 each	1/4 Washer
12204-04	2 each	1/4 Shim
12306-12	2 each	3/8-16 x 1-1/4 Hex Head Bolt*
12402-04	2 each	#8-32 x 1/2 Socket Head Screw
12404-04	1 each	1/4-20 x 1/2 Socket Head Bolt
12504-14	4 each	1/4-20 x 1-1/2 Set Screw*
12804-01	8 each	1/4-2 Jam Nut*
13604-01	1 each	1/4-20 Locknut
73170-09	2 each	Ø 1/2 Hole Plug
76805-01	1 each	DRO Box
76814-01	1 each	Scale Bracket
76817-01	1 each	Conduit Hanger
76820-01	1 each	Digital Scale
76820-02	2 each	M3-.5 x 5 mm Flat Head Screw
76823-01	1 each	Scale Slider Bracket
76826-01	1 each	DRO
76826-02	1 each	DRO Cable
76829-01	1 each	Pin Block
76832-01	1 each	Scale Slider Bolt
77230-01	2 each	Brush Wipe†
77232-01	2 each	Brush Wipe Bracket†
77232-03	2 each	Bracket Knee†
90012-32	2 drops	Loctite 242 Blue

†Existing hardware
 *Replaces existing hardware



AUTO INDEXER OPTION



Part Number	Quantity	Description
12104-01	1 each	1/4 Lock Washer
12401-03	1 each	#6-32 x 3/8 Socket Head Bolt
12401-14	3 each	#6-32 x 1-1/2 Socket Head Bolt
12401-24	1 each	#6-32 x 2-1/2 Socket Head Bolt
13601-01	1 each	#6-32 Lock Nut
14004-04	1 each	1/4-20 x 1/2 Button Head Bolt
14005-04	1 each	5/16-18 x 1/2 Button Head Bolt
77266-01	1 each	Indexer Bushing
77277-02	1 each	Spring
77277-06	1 each	Spring
77625-01	1 each	Indexer Arm
77631-01	1 each	Indexer Bracket
77633-01	2 each	Indexer Mounting Screw
77635-01	1 each	Indexer Front Stop
77640-01	1 each	Relief Grinding Bracket
77645-01	1 each	Indexer Stop
77650-01	1 each	Blade Stop for 1/4 inch Stone
77650-02	1 each	Blade Stop for 1/2 inch Stone

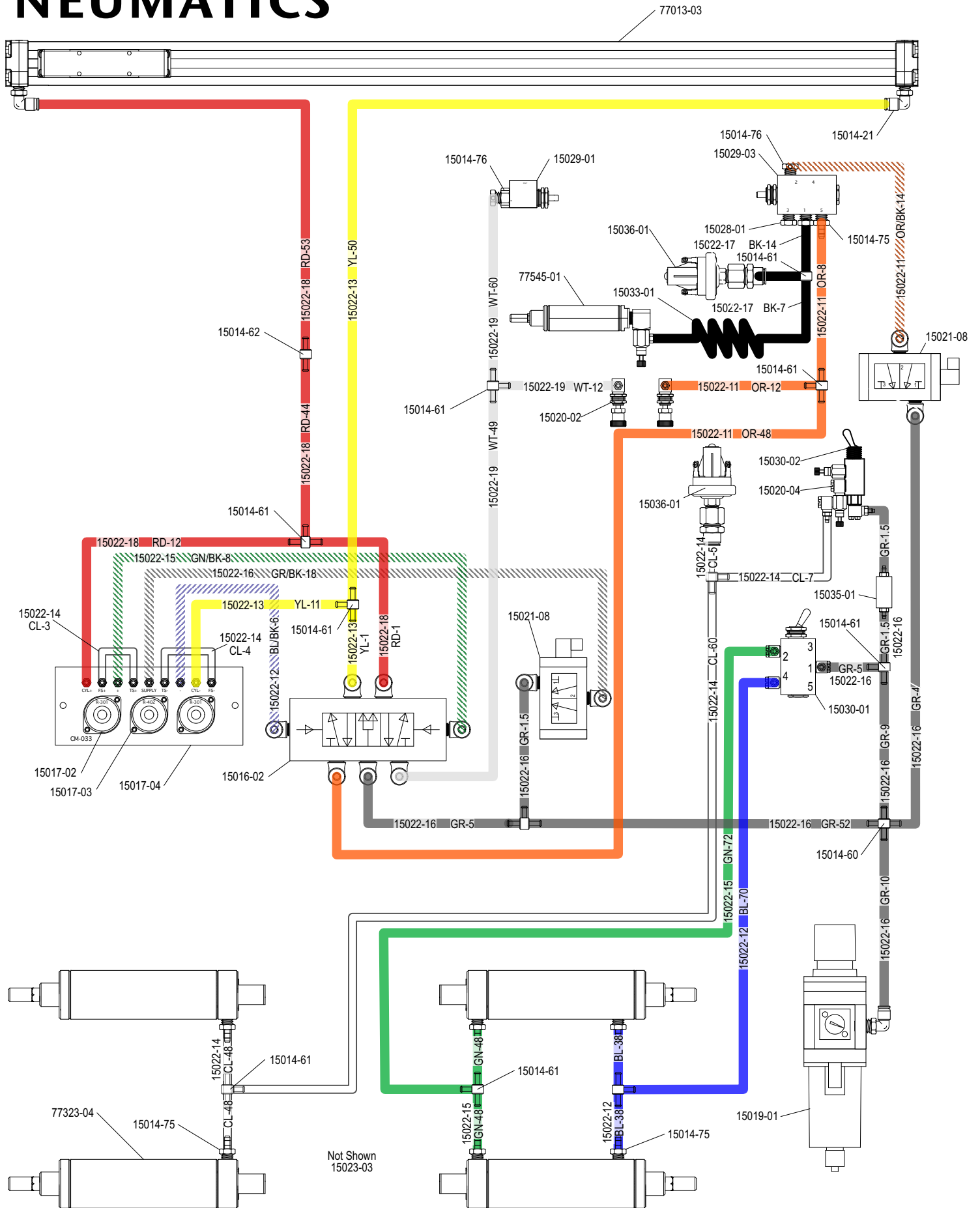
SPIN MOTOR



SPIN MOTOR

Standard		
Part Number	Quantity	Description
12006-01	4 each	3/8 Nut
12206-02	1 each	3/8 Hard Washer
12503-02	2 each	#10-24 x 1/4 Set Screw
12505-03	1 each	5/16-18 x 3/8 Set Screw
12506-03	2 each	3/8-16 x 3/8 Set Screw
12806-01	1 each	3/8-16 Jam Nut
13103-06	2 each	#10 x 3/4 Screw
13504-01	4 each	1/4-20 x 1-1/2 Coupling Nut
14004-04	4 each	1/4-20 x 1/2 Button Head Bolt
14006-10	1 each	3/8-16 x 1 Button Socket Screw
14006-12	3 each	3/8-16 x 1-1/4 Button Socket Screw
14504-06	4 each	1/4-20 x 3/4 Socket Flat Head Bolt
16122-01	2 each	Bearing
60156-01	1 each	Clamp Screw
60429-01	1 each	Nut
60640-01	1 each	Bushing
70009-03	1 each	Clutch Label
70060-01	1 each	Clutch Lockout Label
71409-05	1 each	Pulley
73050-24	1 each	4L240 V-belt
75093-12	1/3 each	Coiled Cord
75093-13	1 each	Strain Relief
75104-07	1 each	Plug Boot
75104-08	1 each	Locking Plug
77048-02	1 each	Locking Handle
77112-01	1 each	Pulley
77112-03	1 each	5/16-18 x 3/8 Set Screw Brass Tip
77222-01	1 each	Spin Motor Support
77295-06	1 each	Spin Motor 90 Volt DC
77295-08	1 each	Spin Motor 180 Volt DC
77299-01	1 each	Radius Arm Plate
77304-01	1 each	Radius Arm
77305-01	1 each	Belt Guard
77306-01	1 each	Belt Guard Plate
77307-11	1 each	Shaft Tube
77307-16	1 each	Lock Nut
77307-17	1 each	Clutch Coupler
77307-18	1 each	Clutch Coupler Spacer*
77308-01	1 each	Slip Clutch*
77309-01	1 each	Spin Motor Shaft
77309-02	1 each	Shaft Coupler

PNEUMATICS



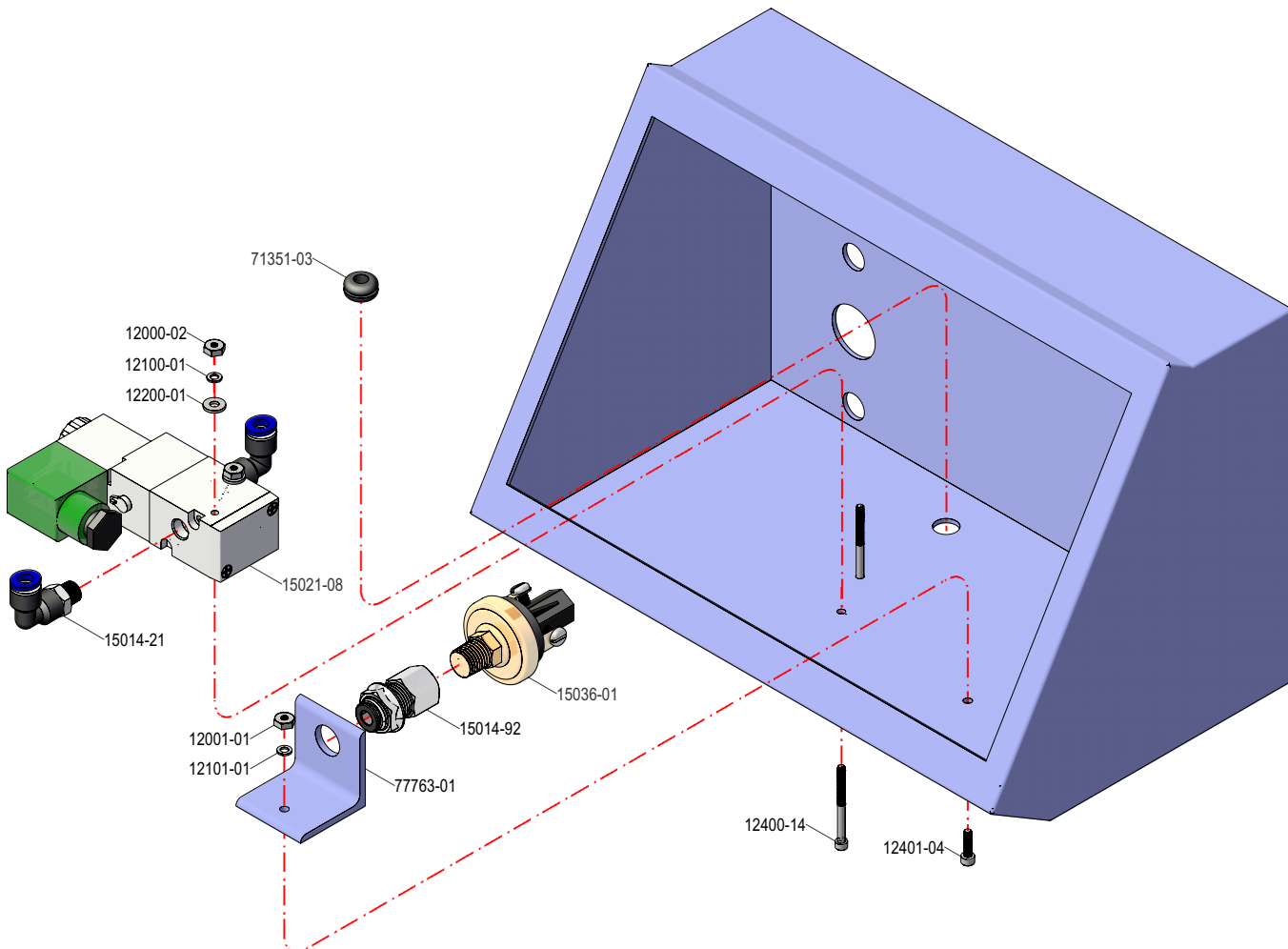
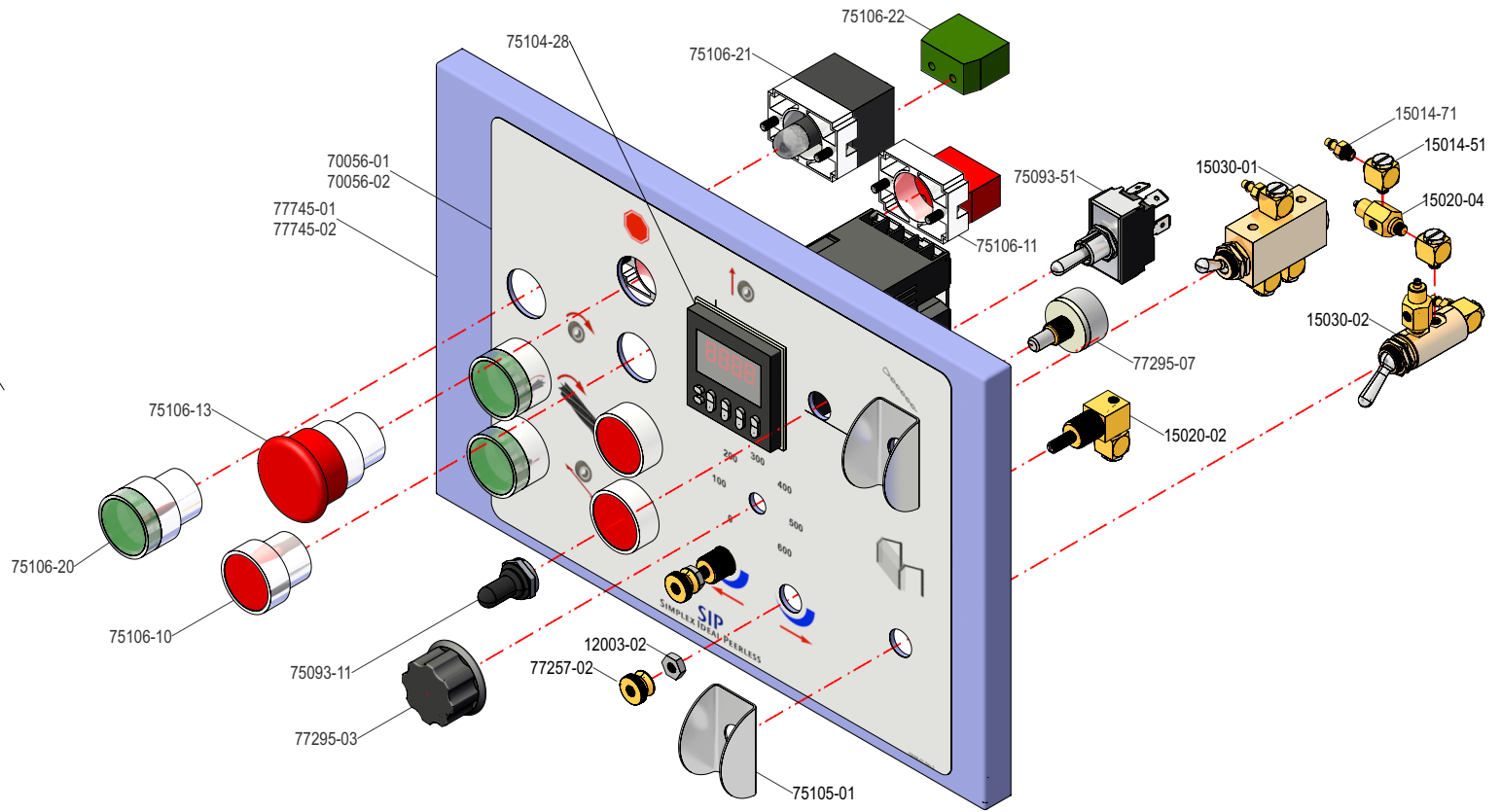
PNEUMATICS

Part Number	Quantity	Description
15014-21	8 each	1/4 x 1/8 NPT Swivel Elbow*
15014-60	1 each	Barbed Cross*
15014-61	1 each	Barbed Tee*
15014-62	1 each	Barbed Coupling
15014-75	8 each	1/8 x 1/8 NPT Hose Barb*
15014-76	2 each	1/8 x 1/8 NPT Elbow Barb*
15016-02	1 each	Air Pilot Valve
15017-02	2 each	R301 Valve
15017-03	1 each	R402 Valve
15017-04	1 each	Acrylic Sub Base
15019-01	1 each	Filter Regulator
15020-02	2 each	Needle Valve
15020-04	2 each	Needle Valve
15021-08	2 each	Electric On-Off Valve 24 Volt*
15023-03	AR each	Wire Tie
15028-01	1 each	1/8 NPT Plug*
15029-01	2 each	Three Port Valve
15029-03	1 each	Five Port Valve*
15030-01	1 each	Valve
15030-02	1 each	Valve
15033-01	1 each	Coiled Tube*
15035-01	1 each	Check Valve
15036-01	2 each	Pressure Switch*
77013-03	1 each	Cylinder
77323-04	4 each	Cylinder
77545-01	1 each	Cylinder

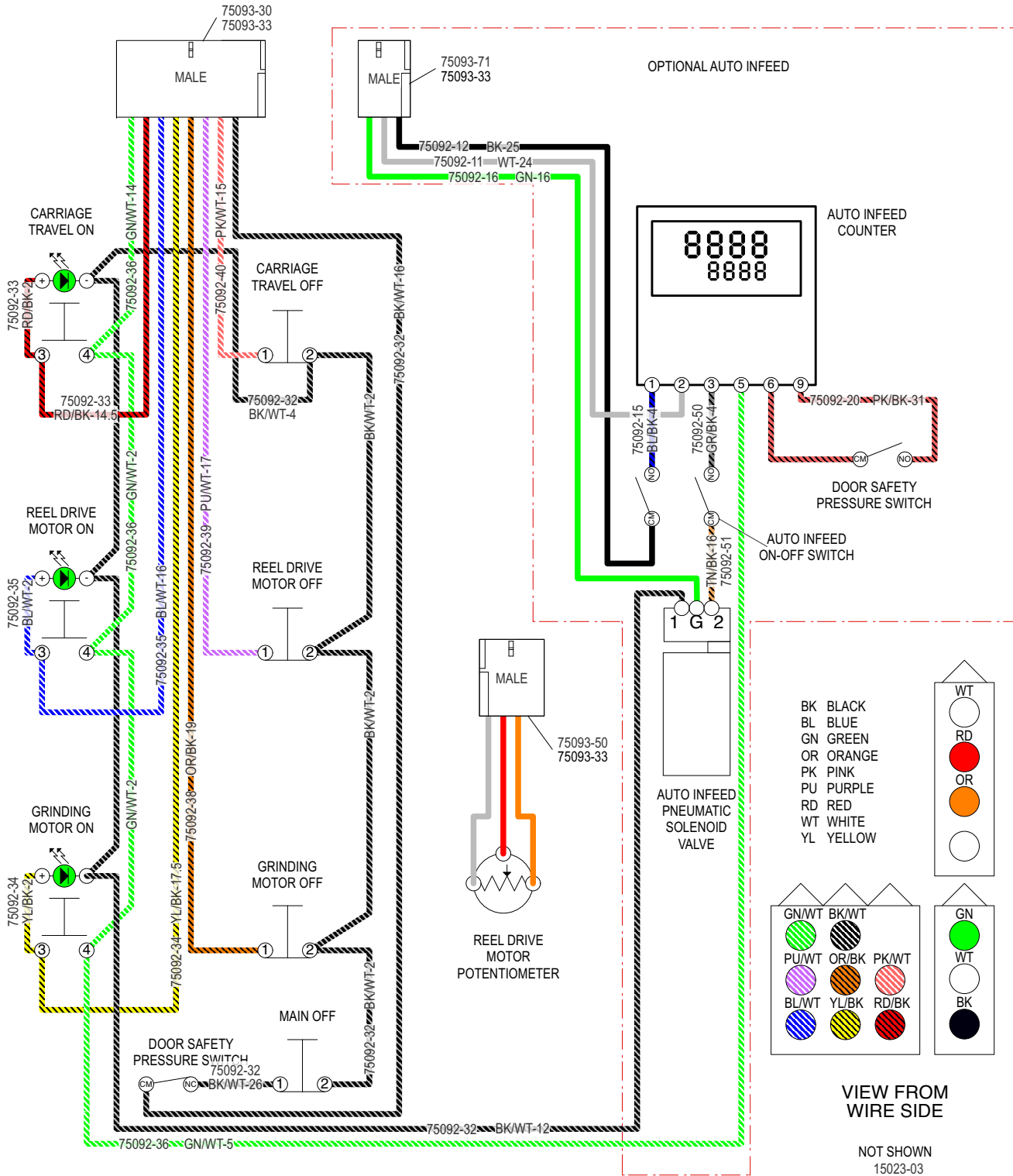
Part Number	Quantity	Size	Description
15022-11	1 each	8 Inches	Tube Orange
15022-11	1 each	12 Inches	Tube Orange
15022-11	1 each	14 Inches	Tube Orange/Black*
15022-11	1 each	48 Inches	Tube Orange
15022-12	1 each	6 Inches	Tube Blue/Black
15022-12	2 each	38 Inches	Tube Blue
15022-12	1 each	70 Inches	Tube Blue
15022-13	1 each	1 Inches	Tube Yellow
15022-13	1 each	11 Inches	Tube Yellow
15022-13	1 each	50 Inches	Tube Yellow
15022-14	1 each	3 Inches	Tube Clear
15022-14	1 each	4 Inches	Tube Clear
15022-14	1 each	5 Inches	Tube Clear
15022-14	1 each	7 Inches	Tube Clear
15022-14	2 each	48 Inches	Tube Clear
15022-14	1 each	60 Inches	Tube Clear
15022-15	1 each	8 Inches	Tube Green/Black
15022-15	2 each	48 Inches	Tube Green
15022-15	1 each	72 Inches	Tube Green
15022-16	3 each	1.5 Inches	Tube Gray*
15022-16	1 each	4 Inches	Tube Gray
15022-16	2 each	5 Inches	Tube Gray
15022-16	1 each	9 Inches	Tube Gray
15022-16	1 each	10 Inches	Tube Gray
15022-16	1 each	18 Inches	Tube Gray/Black
15022-16	1 each	52 Inches	Tube Gray
15022-17	1 each	7 Inches	Tube Black*
15022-17	1 each	14 Inches	Tube Black*
15022-18	1 each	1 Inches	Tube Red
15022-18	1 each	12 Inches	Tube Red
15022-18	1 each	44 Inches	Tube Red
15022-18	1 each	53 Inches	Tube Red
15022-19	1 each	12 Inches	Tube White
15022-19	1 each	49 Inches	Tube White
15022-19	1 each	60 Inches	Tube White

*Includes quantities for automatic in feed option

SWITCH BOX



SWITCH BOX



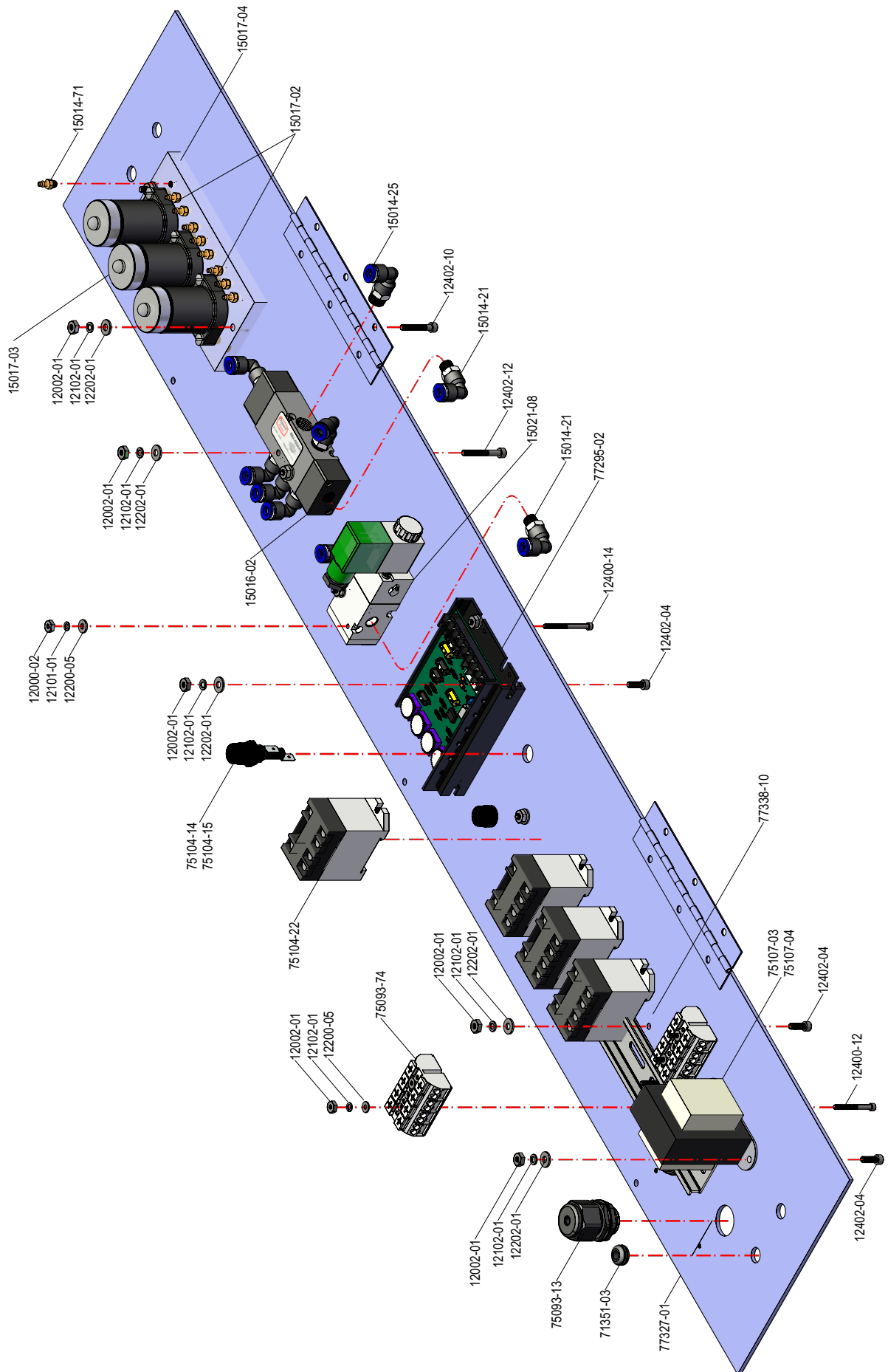
SWITCH BOX

Part Number	Part Number	Description
12000-02	2 each	#5-40 Nut*
12001-01	2 each	#6-32 Nut*
12003-02	2 each	#10-32 Nut*
12100-01	6 each	#5 Lock Washer*
12101-01	2 each	#6 Lock Washer
12200-01	6 each	#5 Washer*
12400-14	4 each	#5-40 x 1-1/2 Screw*
12401-04	2 each	#6-32 x 1/2 Socket Head Bolt*
15014-21	8 each	1/4 x 1/8 NPT Swivel Elbow*
15014-51	8 each	#10-32 Elbow*
15014-71	17 each	1/8 x #10-32 Hose Barb
15014-92	2 each	Bulk Head Fitting*
15020-02	2 each	Needle Valve
15020-04	2 each	Needle Valve
15021-08	1 each	Electric Valve 24 Volt
15023-03	10 each	Wire Tie
15030-01	1 each	Valve
15030-02	1 each	Valve
15036-01	2 each	Pressure Switch*
70056-01	1 each	Label No Infeed
70056-02	1 each	Label With Infeed*
71351-03	1 each	Grommet
75093-11	1 each	Toggle Boot*
75093-30	1 each	9 Pole Receptacle
75093-33	14 each	Pin*
75093-50	1 each	4 Pole Receptacle
75093-51	1 each	Toggle Switch*
75093-71	1 each	3 Pole Receptacle
75104-28	1 each	Counter*
75105-01	2 each	Switch Guard
75106-10	3 each	Red Push Button
75106-11	4 each	NC Body Assembly
75106-13	1 each	Red Mushroom Push Button
75106-20	3 each	Green Lighted Push Button
75106-21	3 each	24 VAC Body Assembly
75106-22	3 each	NO Contact Block
77257-02	2 each	#10-32 Knurled Nut*
77295-03	1 each	Knob
77295-07	1 each	Potentiometer
77745-01	1 each	Control Box No Infeed
77745-02	1 each	Control Box With Infeed*
77763-01	2 each	Pressure Switch Bracket*

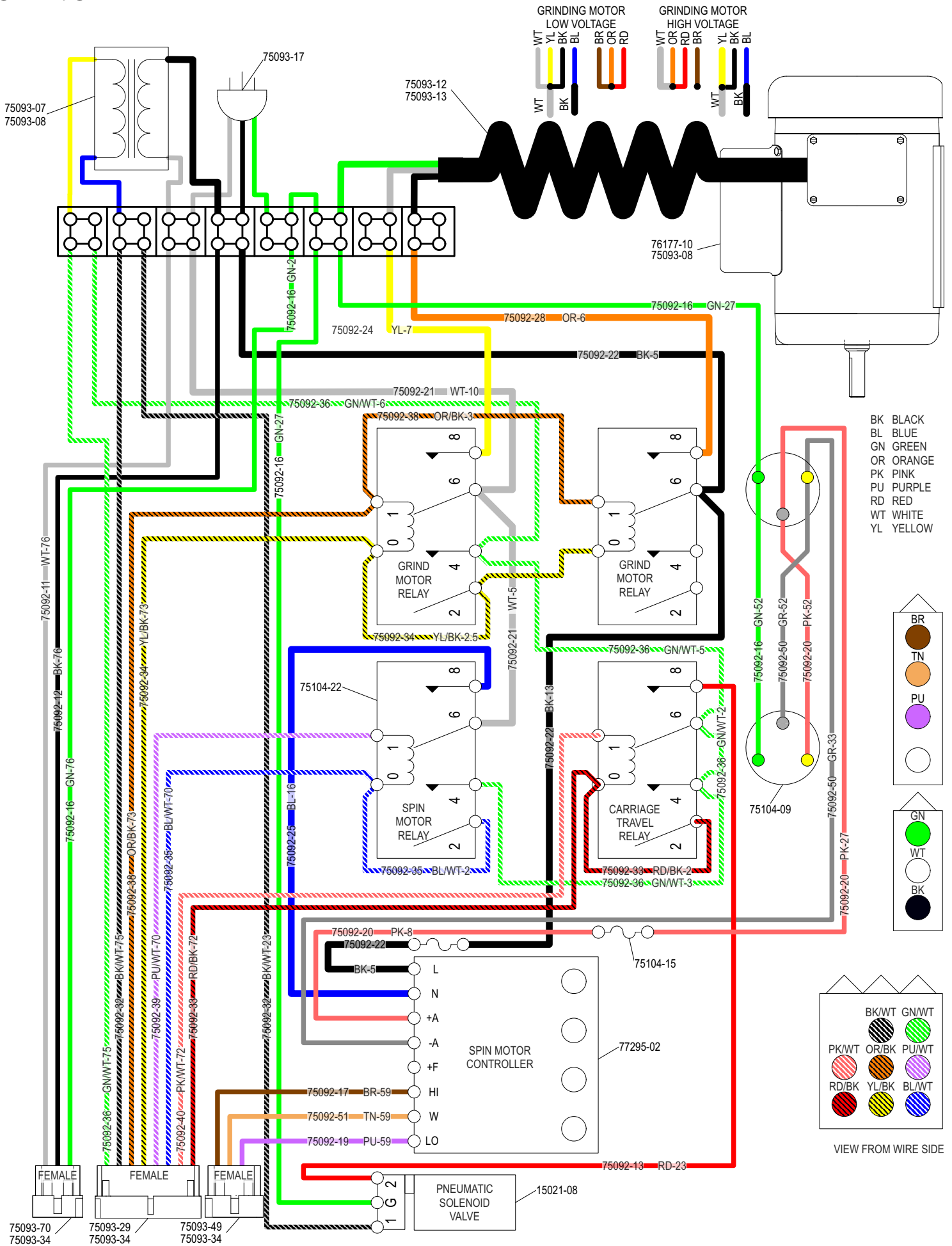
Part Number	Quantity	Size	Description
75092-11	1 each	24 Inches	18 Gauge Wire White*
75092-12	1 each	25 Inches	18 Gauge Wire Black*
75092-15	1 each	4 Inches	18 Gauge Wire Blue/Black*
75092-16	1 each	16 Inches	18 Gauge Wire Green*
75092-20	2 each	31 Inches	18 Gauge Wire Pink/Black*
75092-32	5 each	2 Inches	18 Gauge Wire Black/White
75092-32	1 each	4 Inches	18 Gauge Wire Black/White
75092-32	1 each	12 Inches	18 Gauge Wire Black/White*
75092-32	1 each	16 Inches	18 Gauge Wire Black/White
75092-32	1 each	26 Inches	18 Gauge Wire Black/White
75092-33	1 each	2 Inches	18 Gauge Wire Red/Black
75092-33	1 each	14.5 Inches	18 Gauge Wire Red/Black
75092-34	1 each	2 Inches	18 Gauge Wire Yellow/Black
75092-34	1 each	17.5 Inches	18 Gauge Wire Yellow/Black
75092-35	1 each	2 Inches	18 Gauge Wire Blue/White
75092-35	1 each	16 Inches	18 Gauge Wire Blue/White
75092-36	2 each	2 Inches	18 Gauge Wire Green/White
75092-36	1 each	5 Inches	18 Gauge Wire Green/White*
75092-36	1 each	14 Inches	18 Gauge Wire Green/White
75092-38	1 each	19 Inches	18 Gauge Wire Orange/Black
75092-39	1 each	17 Inches	18 Gauge Wire Purple/White
75092-40	1 each	15 Inches	18 Gauge Wire Pink/White
75092-50	1 each	4 Inches	18 Gauge Wire Gray/Black*
75092-51	1 each	16 Inches	18 Gauge Wire Tan/Black*

*Includes quantities for automatic in feed option

CONTROL PANEL



CONTROL PANEL



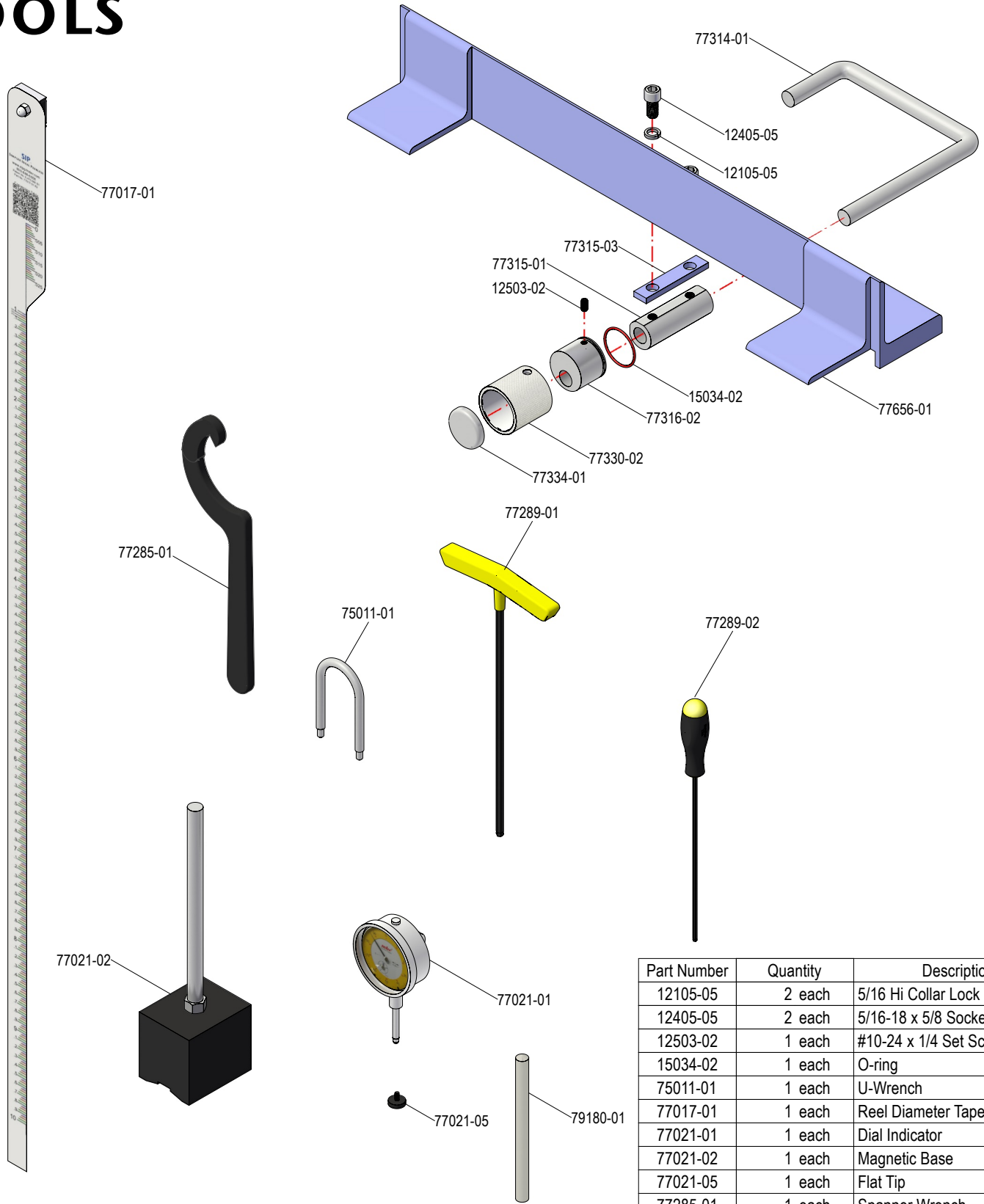
CONTROL PANEL

Part Number	Quantity	Description
12000-02	2 each	#5-40 Nut
12002-01	20 each	#8-32 Nut
12101-01	6 each	#6 Lock Washer
12102-01	20 each	#8 Lock Washer
12200-05	6 each	#4 Washer
12202-01	20 each	#8 Washer
12400-12	4 each	#5-40 x 1-1/4 Screw
12400-14	2 each	#5-40 x 1-1/2 Screw
12402-04	14 each	#8-32 x 1/2 Screw
12402-10	2 each	#8-32 x 1 Screw
12402-12	2 each	#8-32 x 1-1/4 Socket Head Bolt
15014-21	8 each	1/4 x 1/8 NPT Swivel Elbow
15014-25	6 each	1/4 x 1/4 NPT Male Swivel
15014-71	17 each	1/8 x #10-32 Hose Barb
15016-02	1 each	Air Pilot Valve
15017-02	2 each	R301 Valve
15017-03	1 each	R402 Valve
15017-04	1 each	Acrylic Sub Base
15021-08	1 each	Electric On-Off Valve 24 Volt
71351-03	4 each	Grommet
75093-08	3 each	Wire Nut
75093-12	1/2 each	Coiled Cord
75093-13	3 each	Strain Relief
75093-17	1 each	Power Cord
75093-29	1 each	9 Pole Plug
75093-34	14 each	Socket
75093-49	1 each	4 Pole Plug
75093-70	1 each	3 Pole Plug
75093-74	2 each	Terminal Block
75104-09	2 each	Spin Motor Outlet
75104-14	2 each	Fuse Holder
75104-15	2 each	5 Amp Fuse
75104-22	4 each	Relay
75107-03	1 each	Transformer 110 Volt
75107-04	1 each*	Transformer 220 Volt
76177-10	1 each	1 HP Electric Motor 50/60 Hz
77295-02	1 each	Controller Board
77327-01	1 each	Component Panel
77338-10	1 each	Din Rail

* High Voltage Option

Part Number	Quantity	Size	Description
75092-11	1 each	77 Inches	18 Gauge Wire White
75092-12	1 each	78 Inches	18 Gauge Wire Black
75092-13	1 each	23 Inches	18 Gauge Wire Red
75092-16	1 each	2.5 Inches	18 Gauge Wire Green
75092-16	2 each	27 Inches	18 Gauge Wire Green
75092-16	1 each	52 Inches	18 Gauge Wire Green
75092-16	1 each	78.5 Inches	18 Gauge Wire Green
75092-17	1 each	68 Inches	18 Gauge Wire Brown
75092-19	1 each	68 Inches	18 Gauge Wire Purple
75092-20	1 each	8 Inches	18 Gauge Wire Pink
75092-20	1 each	27 Inches	18 Gauge Wire Pink
75092-20	1 each	52 Inches	18 Gauge Wire Pink
75092-21	1 each	5 Inches	14 Gauge Wire White
75092-21	1 each	10 Inches	14 Gauge Wire White
75092-22	2 each	5 Inches	14 Gauge Wire Black
75092-22	1 each	13 Inches	14 Gauge Wire Black
75092-24	1 each	10 Inches	14 Gauge Wire Yellow
75092-25	1 each	16 Inches	14 Gauge Wire Blue
75092-28	1 each	7 Inches	14 Gauge Wire Orange
75092-32	1 each	25 Inches	18 Gauge Wire Black/White
75092-32	1 each	75 Inches	18 Gauge Wire Black/White
75092-33	1 each	2.5 Inches	18 Gauge Wire Red/Black
75092-33	1 each	72 Inches	18 Gauge Wire Red/Black
75092-34	2 each	2.5 Inches	18 Gauge Wire Yellow/ Black
75092-34	1 each	73 Inches	18 Gauge Wire Yellow/ Black
75092-35	1 each	2 Inches	18 Gauge Wire Blue/White
75092-35	1 each	70 Inches	18 Gauge Wire Blue/White
75092-36	1 each	2 Inches	18 Gauge Wire Green/White
75092-36	1 each	3 Inches	18 Gauge Wire Green/White
75092-36	1 each	5 Inches	18 Gauge Wire Green/White
75092-36	1 each	6 Inches	18 Gauge Wire Green/White
75092-36	1 each	74.5 Inches	18 Gauge Wire Green/White
75092-38	1 each	3 Inches	18 Gauge Wire Orange/Black
75092-38	1 each	72.5 Inches	18 Gauge Wire Orange/Black
75092-39	1 each	70 Inches	18 Gauge Wire Purple/White
75092-40	1 each	71 Inches	18 Gauge Wire Pink/White
75092-50	1 each	33 Inches	18 Gauge Wire Gray
75092-50	1 each	52 Inches	18 Gauge Wire Gray
75092-51	1 each	68 Inches	18 Gauge Wire Tan

TOOLS



Part Number	Quantity	Description
12105-05	2 each	5/16 Hi Collar Lock Washer
12405-05	2 each	5/16-18 x 5/8 Socket Head Bolt
12503-02	1 each	#10-24 x 1/4 Set Screw
15034-02	1 each	O-ring
75011-01	1 each	U-Wrench
77017-01	1 each	Reel Diameter Tape™
77021-01	1 each	Dial Indicator
77021-02	1 each	Magnetic Base
77021-05	1 each	Flat Tip
77285-01	1 each	Spanner Wrench
77289-01	1 each	Allen Wrench
77289-02	1 each	Allen Wrench Relief Option
77314-01	1 each	Reel Jack Handle
77315-01	1 each	Reel Jack Bracket
77315-03	1 each	Reel Jack Spacer
77316-02	1 each	Reel Jack Cam
77330-02	1 each	Reel Jack Roller
77334-01	1 each	Plug
77656-01	1 each	Front Roller Jack Base
79180-01	1 each	Diamond Dresser